



CATALOG NUMBER:	
JOB NAME:	
CUSTOMER NAME:	
NOTES:	TYPE:
	DATE:

FEATURES AND SPECIFICATIONS

WALL LIGHTING

WLMR18 SERIES

18" ROUND MEDIUM WALL SCONCE



Wattages:

Pulse Start: 70w - 150w

High Pressure Sodium: 70w - 150w

Construction:

Provides Controlled Downlight

Dark Sky Compliant

Quick Install Bracket with Bubble Level Provides Correct Alignment

Cuts off Light Below Horizontal

Optics:

Reduces Light Pollution

Reduces Light Trespass

Electrical:

UL Listed for Wet Locations

Specifications:

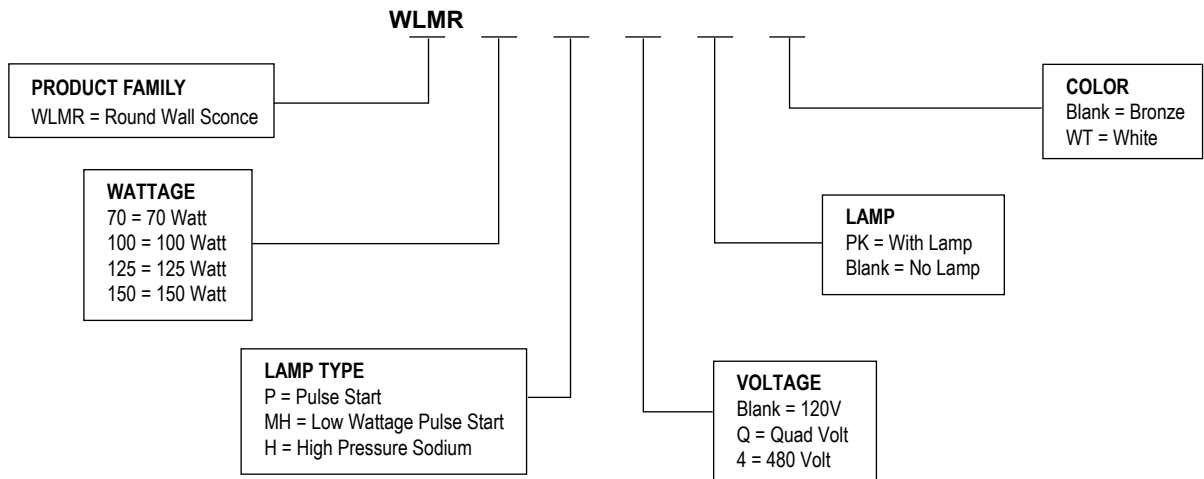
Overall height: 7.14" (18.13 cm)

Width: 17.88" (45.41 cm)

Weight: 22 lbs / 9.97 kg.

ORDERING INFORMATION

Order accessories as separate catalog numbers (shipped separately).



Actual performance can vary depending on operating conditions. Specifications are subject to change without notice.

ATLAS LIGHTING PRODUCTS, INC.

PO BOX 2348 | BURLINGTON, NC 27216

800-849-8485 | FAX: 336-227-0110 | www.atlaslightingproducts.com

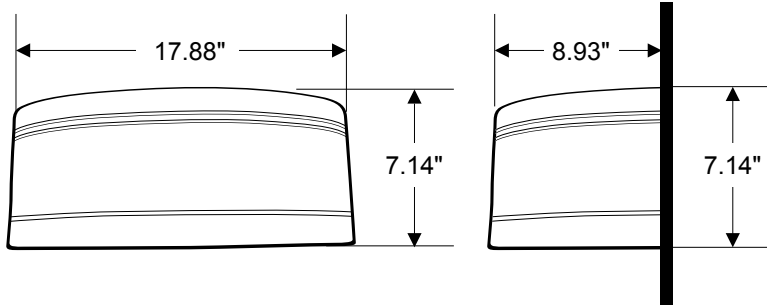
DIMENSIONS

Specifications:

Overall height:
7.14" (18.13 cm)

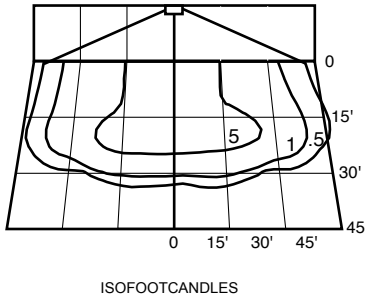
Width:
17.88" (45.41 cm)

Weight:
22 lbs. / 9.97 kg.



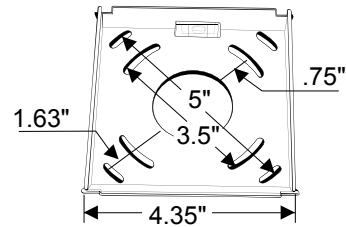
PHOTOMETRICS

175W MH @ 15' Mounting Height



MOUNTING DETAILS

Quick Mount Bracket



Actual performance can vary depending on operating conditions. Specifications are subject to change without notice.

ATLAS LIGHTING PRODUCTS, INC.

PO BOX 2348 | BURLINGTON, NC 27216

800-849-8485 | FAX: 336-227-0110 | www.atlaslightingproducts.com