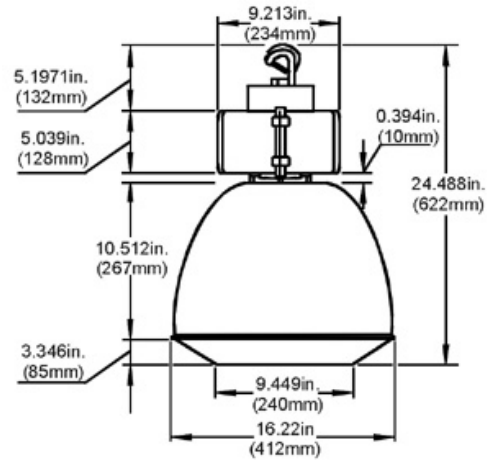




LB - Low Bay
Metal Halide Pulse Start 200 – 400 W
Metal Halide 175 – 400 W
High Pressure Sodium 150 – 400 W



DESCRIPTION

The LB is a versatile Low Bay fixture for general purpose industrial lighting needs where a combination of horizontal and vertical illumination is needed. U.L. damp location listed.

APPLICATION

Suitable for use in factories, assembly areas, warehouses and other areas which have mounting heights of less than 20' (6 m).

HOUSING

The housing is made of high pressure die cast aluminum and finished in a white polyester powder coat paint finish for lasting corrosion resistance.

BALLAST

High Power Factor, Constant Wattage Autotransformer ballasts. Multi Tap (120/208/240/277V) or 480V ballasts. Minimum starting temperature is -20°F (-30°C) for MP and MH, -40°F (-40°C) for HPS.

SOCKET

Mogul base, 4KV pulse rated porcelain socket.

MOUNTING

Junction box and hook with safety screw included. 3/4" threaded opening on the top of the junction box for pendant mounting.

REFLECTOR/REFRACTOR

16" or 22" white polyester powder coat painted aluminum reflector with a 16" or 22" drop dish acrylic refractor.

CATALOG NUMBER LOGIC

LB-

Product Series
 LB = Low Bay

MP

Lamp Type
 MP = Metal Halide Pulse Start
 MH = Metal Halide
 HP = High Pressure Sodium

400-

Lamp Wattage
 (MP) 200, 250, 320, 350, 400
 (MH) 175, 250, 400
 (HPS) 150, 250, 400

MT-

Voltage
 MT = Multi Tap (120/208/240/277V)
 480V = 480V

AA16-

Reflector/Refractor
 AA16 = White painted Aluminum reflector with Acrylic drop Refractor 16"
 AA22 = 22" version

L

Lamp
 L = Lamp Included

OPTIONS

Q – Quartz restrike system with quartz restrike lamp
 QT – Quartz restrike system with time delay, with quartz restrike lamp.
 3CP-XXX – 3 foot Cord and NEMA Plug, XXX = specify voltage, 120 or 277V
 F1-XXX or F2-XXX – Single or Double Fuse. XXX = specify voltage.
 SC3 – Safety Cable 3'.