

FLUORESCENT HIGH BAY HBA

ALPHA SERIES HIGH BAY

HBA

DESCRIPTION

The Alpha series is an outstanding solution for high mounting height industrial or retail applications. The HBA optic has been optimized to provide maximum performance from either the T5 or T8 lamps. HBA's high lumen package allows the benefits of fluorescent to be applied at high mounting heights that were traditionally exclusive to H.I.D. The primary benefits include exceptional color rendering, high system efficacy, 95% lumen maintenance, long lamp life, instant on/instant re-strike, economical dimming, and uniform brightness control.

APPLICATION

Primary applications include retail, shopping malls, light industrial, gymnasiums and recreational environments.

SPECIFICATION FEATURES

Construction

Full bodied rigid low-profile steel housing, made from 22 gauge prime cold rolled steel. Center access plate location allows for easy access to ballast leads. Sufficient knockouts for mounting, electrical, and occupancy sensor accessories. Housing features radiator slots for ample lamp and luminaire heat dissipation.

Optics

Die formed, segmented optical design optimizes performance. HBA comes standard in wide distribution. Three distributions available. Optical choices include a narrow distribution for aisles, medium distribution for assembly and loading areas, or wide distribution for general, open area lighting. Optical modules produce 95% reflectivity.

Electrical

Ballasts are Class "P" and are positively secured by mounting bolts. Pressure-lock lampholders. UL/CUL listed. Suitable for damp locations.

Finish

White enamel finish preceded by a multistage cleaning cycle, iron phosphate coating with rust inhibitor to protect against contaminants and oxidation.

Mounting

The Alpha series is ideally suited for surface, suspension mounting with optional wire hook and chain set, or cable mounting. (2) sets v-hook hangers and chain sets included.

Warranty

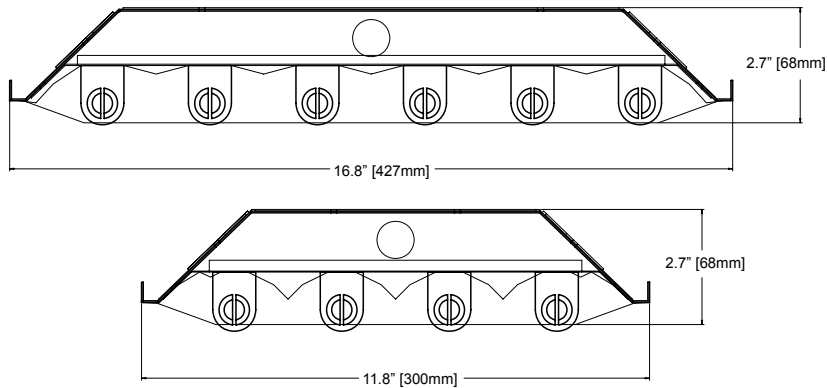
When operated in high ambient conditions, the HBA is supported by a 5 yr/55°C and 3 yr/65°C ballast warranty for T5 and T8 configurations.

ORDER NO.	
NOTES	TYPE
PROJECT	



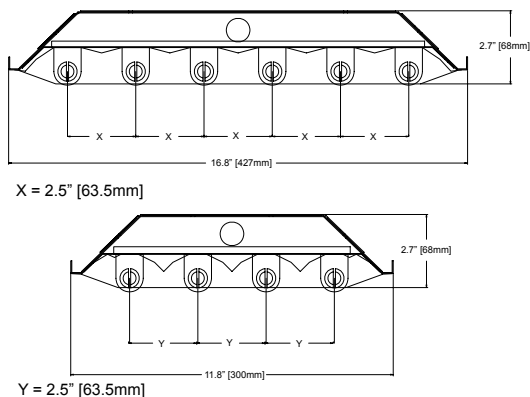
HBA

HBA:
632, 432,
654, 454

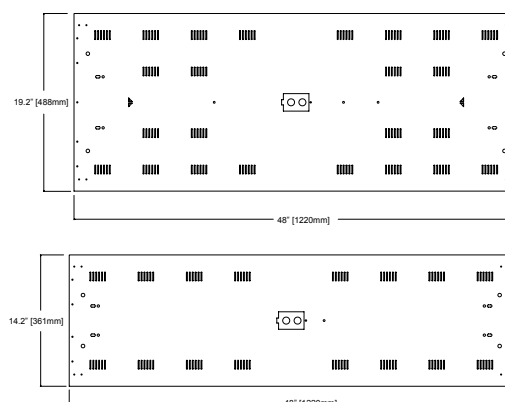


4 or 6 T8 LAMPS,
4 or 6 T5 LAMPS
Specification High Bay

LAMP CONFIGURATION



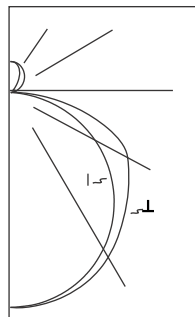
DIMENSION TOP VIEW



Power disconnected with
QUICK DISCONNECT

Mounting chain set included:
(2) V-Hook Hangers, 40"
chain sets w/ S-Hooks

PHOTOMETRICS



HBA-632

(2) Electronic Ballast, High BF

(6) F32/T8/TL835 32W T8 lamps, 3100 lumens

Spacing Criterion:

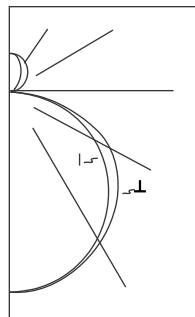
(II) 1.3 x mounting height,

(I) 1.3 x mounting height

Efficiency 95.9%

Candlepower

Angle	Along II	45°	Across ⊥
0	4685	4685	4685
5	4663	4674	4692
10	4608	4631	4654
15	4512	4555	4594
20	4380	4446	4503
25	4209	4303	4374
30	4000	4121	4203
35	3762	3909	4000
40	3492	3658	3774
45	3195	3377	3562
50	2870	3081	3354
55	2527	2785	3150
60	2165	2500	2962
65	1781	2230	2707
70	1384	1985	2246
75	975	1569	1685
80	569	1025	1107
85	200	500	566
90	3	111	177



HBA-654

(2) Electronic Ballast, High BF

(6) F54T5/841HO 54W T5 lamps 4400 lumens

Spacing criterion: (II) 1.3 x mounting height, (⊥) 1.3 x mounting height

Efficiency 93.3%

Candlepower

Angle	Along II	45°	Across ⊥
0	6850	6850	6850
5	6814	6836	6863
10	6739	6770	6796
15	6607	6648	6668
20	6418	6461	6487
25	6179	6222	6278
30	5891	5945	6049
35	5558	5637	5792
40	5183	5301	5498
45	4773	4929	5187
50	4335	4526	4827
55	3866	4100	4434
60	3370	3638	3997
65	2843	3159	3437
70	2283	2630	2685
75	1672	1932	1941
80	1012	1216	1267
85	348	548	548
90	4	37	50

Coefficients of Utilization

rc	Effective floor cavity reflectance																							
	80%			70%			50%			30%			10%			0%								
rw	70	50	30	10	70	50	30	10	50	30	10	50	30	10	50	30	10	50	30	10	50	30	10	0
CR																								
0	113	113	113	113	110	110	110	110	104	104	104	99	99	99	94	94	94	92						
1	103	98	93	89	100	95	91	88	90	87	84	86	83	81	82	80	78	75						
2	93	85	78	72	90	82	76	71	78	73	69	75	70	66	71	68	64	62						
3	85	74	66	60	82	72	65	59	69	62	57	66	60	56	63	58	54	52						
4	77	66	57	50	75	64	56	50	61	54	49	58	52	47	56	51	46	44						
5	71	58	50	43	69	57	49	43	55	47	42	52	46	41	50	45	40	38						
6	66	53	44	38	64	52	43	37	49	42	37	47	41	36	45	40	35	33						
7	61	48	39	33	59	47	39	33	45	38	33	43	37	32	42	36	31	29						
8	57	44	35	30	55	43	35	30	41	34	29	40	33	29	38	33	28	26						
9	53	40	32	27	51	39	32	27	38	31	26	37	30	26	35	30	26	24						
10	50	37	29	24	48	36	29	24	35	28	24	34	28	24	33	27	23	22						

Coefficients of Utilization

rc	Effective floor cavity reflectance																							
	80%			70%			50%			30%			10%			0%								
rw	70	50	30	10	70	50	30	10	50	30	10	50	30	10	50	30	10	50	30	10	50	30	10	0
RCR																								
0	109	109	109	109	105	105	105	105	98	98	98	92	92	92	86	86	86	84						
1	99	94	90	86	95	91	87	84	85	82	79	80	77	75	75	73	71	68						
2	89	81	74	69	86	78	72	67	74	69	64	69	65	61	65	62	59	56						
3	81	71	63	57	78	68	61	55	64	58	53	60	55	51	57	53	49	46						
4	74	62	54	47	71	60	53	47	57	50	45	53	48	43	50	46	42	39						
5	68	55	47	40	65	54	46	40	51	44	38	48	42	37	45	40	36	34						
6	62	50	41	35	60	48	40	34	46	39	33	43	37	32	41	35	31	29						
7	58	45	37	31	55	44	36	30	41	34	29	39	33	29	37	32	28	26						
8	54	41	33	27	52	40	32	27	38	31	26	36	30	25	34	29	25	23						
9	50	37	30	24	48	36	29	24	35	28	23	33	27	23	31	26	22	20						
10	47	34	27	22	45	34	26	22	32	26	21	30	25	21	29	24	20	18						

Zonal Lumen Summary

Zone	Lumen s	%Lam p	%Fix ture
0-30	4562	24.5	25.6
0-40	7330	39.4	41.1
0-60	12827	69.0	71.9
0-90	17094	91.9	95.8
180	17837	95.9	100.0

Luminance Data

Angle in Deg	Average 0-Deg cd/s m	Average 45-Deg cd/s m	Average 90-Deg cd/s m
5	10283	8782	8691
5	9860	8372	8802
5	9142	8470	10454
5	7699	10076	10592
5	3898	10123	11480

Zonal Lumen Summary

Zone	Lumen s	%Lam p	%Fix ture
0-30	5401	20.5	21.9
0-40	8947	33.9	36.3
0-60	16453	62.3	66.8
0-90	22065	83.6	89.6
0-180	24626	93.3	100.0

Luminance Data

Angle in Deg	Average 0-Deg cd/s m	Average 45-Deg cd/s m	Average 90-Deg cd/s m
45	11468	11843	12463
55	11451	12144	13134
65	11429	12699	13817
75	10975	12682	12741
85	6784	10682	10682

ORDERING INFORMATION

SAMPLE NUMBER: HBA-632-UNV-ISH

Series:
HBA = Alpha Series
Commercial High Bay

Number of Lamps
4 = 4 Lamps
6 = 6 Lamps
(not included)

Individual Lamp Wattage
32 = 32W T8
54 = 54W T5/HO

Voltage
120V = 120V
277V = 277V
UNV = Universal
Voltage 120-277V
347V = 347V
480V = 480V

Ballast Starting Method
IS = Instant Start
PS = Programmed Start
RS = Rapid Start

Ballast Factor
N = Normal
L = Low
H = High (Standard)

Ballast Type (Blank) = T8 Electronic, Fixed Output, THD < 10%
HP = High Efficiency T8, Fixed Output, THD < 10%
DT = T8 Electronic, Step-Dimming
DC = T8 Electronic, Continuous-Dimming

Accessories (order separately)

WG = Wire Guard
Y-Toggle/30 = Y-mounting tool, #2 cable, 30'
Y-Toggle/10 = Y-mounting tool, #2 cable, 10'

Atlas Lighting Supply

2828 S. Linwood St. Visalia, CA 93277
Phone: 559-697-6764 Fax: 888-605-2324

www.atlaslightingsupply.com

Specifications and dimensions subject to change without notice. Consult your New Earth Lighting Representative for availability and ordering.