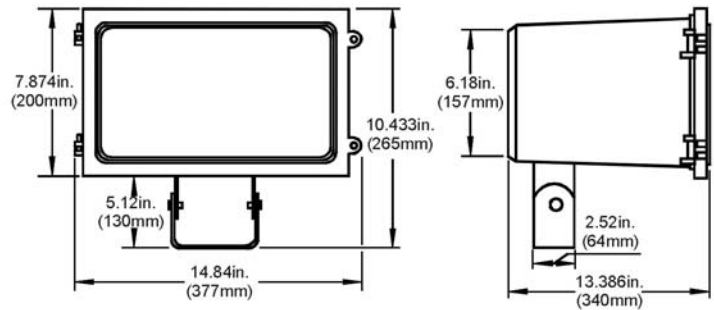


Atlas Lighting Supply
 2828 S. Linwood St
 Visalia, CA 93277
 Ph: 559-804-1664, F: 888-605-2324
 www.atlaslightingsupply.com

**FHM - Floodlight High Wattage
 Micro style
 Slipfitter or Trunnion Mounting
 Metal Halide Pulse Start 200 – 400 W
 Metal Halide 175 – 400 W
 High Pressure Sodium 150 – 400 W
 Induction 40 W
 LED 1 – 3 x 15 W**



DESCRIPTION

The FHM is a general purpose Floodlight for up to 400W HID lamps, Induction 40W lamps or LED 3 x 15W in a compact size. It has a wide beam distribution pattern allowing it to be used in almost any floodlighting application. U.L. listed for wet locations.

APPLICATION

Suitable for lighting large open areas such as parking lots, storage yards, construction sites, marinas, industrial areas and around buildings.

HOUSING

The housing is made of high pressure die cast aluminum and finished in a dark bronze polyester powder coat paint finish for lasting corrosion resistance.

BALLAST

High Power Factor, Constant Wattage Autotransformer ballasts. Multi Tap (120/208/240/277V) or 480V ballasts. Minimum starting temperature is -20°F (-30°C) for MP and MH, -40°F (-40°C) for HPS. Multi Tap, electronic drivers for LED.

SOCKET

Mogul base, 4KV pulse rated porcelain socket for HID.

MOUNTING

Die cast aluminum slipfitter for use with 2 3/8" - 3" O.D. tenons or die formed steel trunnion (shown). Both versions have dark bronze polyester powder coat paint finish.

REFLECTOR

Die formed, anodized aluminum.

GASKET

Silicone rubber for long life.

LENS

Clear tempered glass, impact and heat resistant.

EPA

Effective Projected Area at 45° tilt is 0.90

CATALOG NUMBER LOGIC

FHM-

Product Series
 FHM = Floodlight
 High Wattage
 Micro style

MP

Lamp Type
 MP = Metal Halide
 Pulse Start
 MH = Metal Halide
 HP = High Pressure
 Sodium
 ID = Induction
 LD = LED

400-

Lamp Wattage
 (MP) 200, 250, 320, 350, 400
 (MH) 175, 250, 400
 (HPS) 150, 250, 400
 (ID) 40
 (LED) 115 = 1 x 15W
 215 = 2 x 15W
 315 = 3 x 15W

MT-

Voltage
 MT = Multi Tap
 120/208/240/277V
 480V = 480V

TR-

Mounting
 SF = Slipfitter
 TR = Trunnion

L

Lamp
 L = Lamp
 Included

OPTIONS

FHM-WG – Wire Guard
 FHM-GS – Glare Shield

FHM-VS – Vandal Shield
 PC-XXX – Button Photocell (XXX = specify voltage)