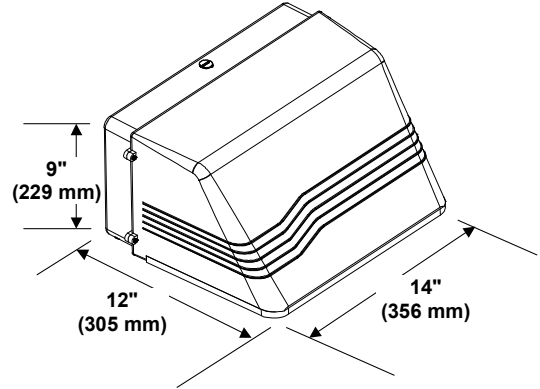


**Atlas Lighting Supply**  
 2828 S. Linwood St  
 Visalia, CA 93277  
 Ph: 559-804-1664, F: 888-605-2324  
 www.atlaslightingsupply.com

**WTZS – Wall pack Trapezoid Small**  
 Metal Halide Pulse Start 50 – 150 W  
 High Pressure Sodium 35 – 150 W  
 Fluorescent Quad Tube 2 x 26 - 42 W  
 LED 1 – 2 x 15 W



**DESCRIPTION**

The WTZS is an architectural grade full cutoff wall pack for up to MP 150W, HPS 150W, Fluorescent quad tube 2 x 42W or LED 2 x 15W lamps. Fully Dark Sky compliant. U.L. listed for wet locations.

**APPLICATION**

Ideal for security lighting around commercial, industrial and residential buildings where limiting glare and light trespass are important while maintaining an aesthetically appealing dayform appearance.

Can also be used as an upright for accent lighting of facades.



**HOUSING**

The housing is made of high pressure die cast aluminum and finished in a dark bronze polyester powder coat paint finish for lasting corrosion resistance.

**BALLAST**

High Power Factor, Constant Wattage Autotransformer ballasts, Multi Tap (120/208/240/277V) or reactor 120V ballasts for HPS. Minimum starting temperature is -20°F (-30°C) for MP, -40°F (-40°C) for HPS. Electronic ballasts for Fluorescent 2x26, 32 or 42W in Dual Tap (120/277V). Multi Tap, electronic drivers for LED.

**SOCKET**

Medium base, 4KV pulse rated porcelain socket for HID lamps. Positive latching thermoplastic socket for fluorescent lamps.

**MOUNTING**

Knockout pattern provided on back casting for mounting to junction boxes. Three ½" threaded entry hubs provided for top or side conduit wiring and through wiring.

**REFLECTOR**

Die formed, anodized aluminum.

**GASKET**

Silicone rubber for long life.

**LENS**

Flat borosilicate glass, impact and heat resistant.

**CATALOG NUMBER LOGIC**

**WTZS-**

**Product Series**

WTZS = Wall pack Trapezoid Small

**MP**

**Lamp Type**

MP = Metal Halide Pulse Start  
 HP = High Pressure Sodium  
 FL = Fluorescent quad tube

**150-**

**Lamp Wattage**

(MP) 50, 70, 100, 150  
 (HPS) 35, 50, 70, 100, 150  
 (FL)

242 = 2 x 42W

**MT-**

**Voltage**

MT = Multi Tap  
 120/208/240/277V  
 DT = Dual Tap 120/277V

**L**

**Lamp**

L = Lamp Included

**OPTIONS**

EM – Emergency ballast for FL versions.

Specifications and Dimensions subject to change without notice.