

Return to Atlas Lighting Supply



- ### FEATURES
- Reduces Light Pollution and Light Trespass
 - Hinged Face Frame
 - Lamp Included



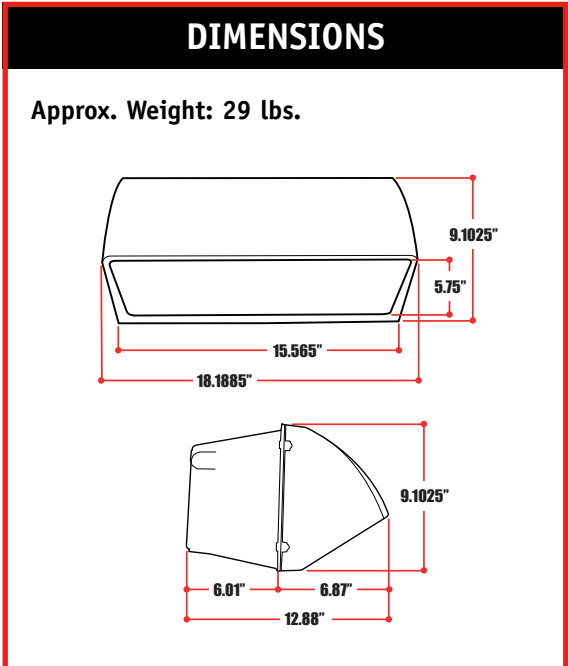
Listed for Wet Locations

250 to 400 watts MH | HPS | PS

ORDERING INFORMATION

Catalog #	Description	Volts	Ballast Type	Lamp
METAL HALIDE				
WLXDC-250MHQPK	250 watt MH	Quad V	CWA	MH250/U
WLXDC-400MHQPK	400 watt MH	Quad V	CWA	MH400/U
HIGH PRESSURE SODIUM				
WLXDC-250HQPK	250 watt HPS	Quad V	CWA	C250S50
WLXDC-400HQPK	400 watt HPS	Quad V	CWA	C400S51
PULSE START				
WLXDC-320PQPK	320 watt PS	Quad V	CWA	MS320/H
WLXDC-350PQPK	350 watt PS	Quad V	CWA	MS350/H
WLXDC-400PQPK	400 watt PS	Quad V	CWA	MS400/H

Add Suffix WT to Indicate White Housing 480V / 5 Tap Available Upon Request



ACCESSORIES (FIELD INSTALLED)

Catalog #	Description	Finish	Std. Pkg.	See Pg.#
320-017	Full Cut-Off Shield for WLXDC	Bronze	1	90
320-017WT	Full Cut-Off Shield for WLXDC	White	1	90
210-006	Face Frame Assembly for WLXDC	Bronze	1	90
210-006WT	Face Frame Assembly for WLXDC	White	1	90
230-002	Button 120V Photo Control	—	1	124
230-008	Button 208-277V Photo Control	—	1	124

