

Return to Atlas Lighting Supply



FEATURES

- Die Cast Aluminum Housing
- Borosilicate Glass Lens
- Threaded Apertures for Conduit & Photo Control
- Lamp Included



Listed for Wet Locations

35 to 150 watts MH | HPS

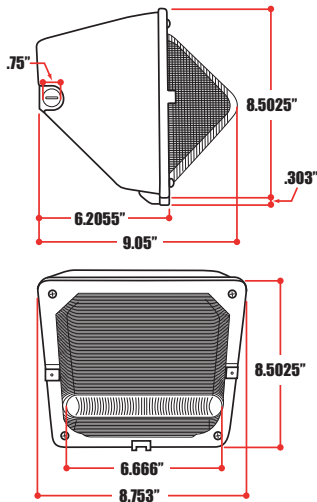
ORDERING INFORMATION

Catalog #	Description	Volts	Ballast Type	Lamp
METAL HALIDE				
WLSG-50MHQPK	50 watt MH	Quad V	HX-NPF	MH50/U/M
WLSG-70MHQPK	70 watt MH	Quad V	HX-NPF	MH70/U/M
WLSG-100MHQPK	100 watt MH	Quad V	HX-NPF	MH100/U/M
HIGH PRESSURE SODIUM				
WLSG-35HPK	35 watt HPS	120 V	R-NPF	C35S76/M
WLSG-50HPK	50 watt HPS	120 V	R-NPF	C50S68/M
WLSG-70HPK	70 watt HPS	120 V	R-NPF	C70S62/M
WLSG-100HPK	100 watt HPS	120 V	R-NPF	C100S54/M
WLSG-150HPK	150 watt HPS	120 V	R-NPF	C150S55/M

Add Suffix WT to Indicate White Housing

DIMENSIONS

Approx. Weight: 10 lbs.



ACCESSORIES (FIELD INSTALLED)

Catalog #	Description	Finish	Std. Pkg.	See Pg.#
280-018	Mounting Plate for WLSG	Bronze	1	90
210-010	WLSG Face Frame Assembly	Bronze	1	90
210-010WT	WLSG Face Frame Assembly	White	1	90
230-002	Button 120V Photo Control	—	1	124
230-008	Button 208-277V Photo Control	—	1	124

PHOTOMETRICS

100W MH @ 15' Mounting Height
Isofootcandles

