

Return to Atlas Lighting Supply



- ### FEATURES
- Die Cast Aluminum Housing
 - Borosilicate Glass Lens
 - Aluminum Base Plate with Conduit Access
 - Lamp Included



Listed for Wet Locations

50 to 100 watts MH | HPS

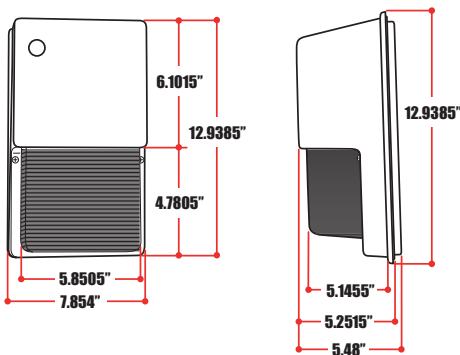
ORDERING INFORMATION

Catalog #	Description	Volts	Ballast Type	Lamp
METAL HALIDE				
WLG-50MHQPK	50 watt MH	Quad V	HX-NPF	MH50/U/M
WLG-70MHQPK	70 watt MH	Quad V	HX-NPF	MH70/U/M
WLG-100MHQPK	100 watt MH	Quad V	HX-NPF	MH100/U/M
HIGH PRESSURE SODIUM				
WLG-50HPK	50 watt HPS	120 V	R-NPF	C50S68/M
WLG-70HPK	70 watt HPS	120 V	R-NPF	C70S62/M
WLG-70HQPK	70 watt HPS	Quad V	HX-NPF	C70S62/M
WLG-100HPK	100 watt HPS	120 V	R-NPF	C100S54/M
WLG-100HQPK	100 watt HPS	Quad V	HX-NPF	C100S54/M

Add Suffix WT to Indicate White Housing Add Suffix PC to Indicate Photo Control

DIMENSIONS

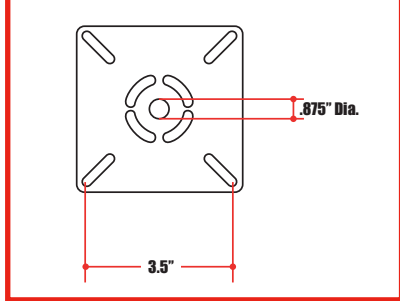
Approx. Weight: 13 lbs.



ACCESSORIES (FIELD INSTALLED)

Catalog #	Description	Std. Pkg.	See Pg.#
130-004	WLG Lens with Gasket	1	90
230-002	Button 120V Photo Control	1	124
230-008	Button 208-277V Photo Control	1	124

MOUNTING DETAIL



PHOTOMETRICS

