

Atlas Lighting Supply

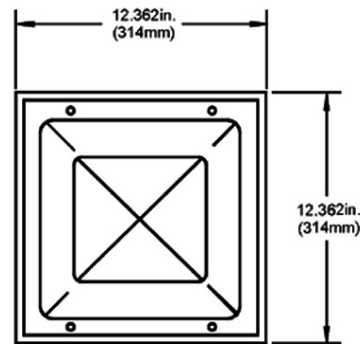
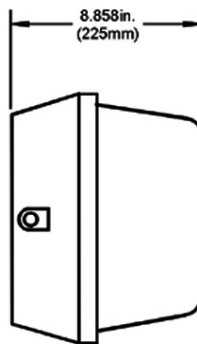
2828 S. Linwood St

Visalia, CA 93277

Ph: 559-804-1664, F: 888-605-2324

www.atlaslightingsupply.com

VSM - Vandal Resistant Surface Mount - Medium Metal Halide Pulse Start 50 – 150 W Metal Halide 175 W High Pressure Sodium 35 – 150 W Fluorescent Quad Tube 2 x 26 - 42 W



DESCRIPTION

The VSM is a 12" x 12" Vandal Resistant Surface Mounting fixture for up to MP 150W, MH 175w, HPS 150W, Fluorescent quad tube 2 x 42W, Induction 40W or LED 2 x 15W lamps. Its rugged die cast aluminum housing and tough polycarbonate lens make it ideal for high abuse, vandalism prone areas. U.L. listed for wet locations.

APPLICATION

Suited for public areas such as underpasses, parking garages, cold storage rooms, building perimeters, schools, corridors and stairwells.

HOUSING

For HID versions, the housing is made of high pressure die cast aluminum and finished in a dark bronze polyester powder coat paint finish for lasting corrosion resistance. For fluorescent 2 x 13W or lower, a cold rolled steel back plate is used.

BALLAST

High Power Factor, Constant Wattage Autotransformer ballasts, Multi Tap (120/208/240/277V) or reactor 120V ballasts for HPS. Minimum starting temperature is -20°F (-30°C) for MP and MH, -40°F (-40°C) for HPS. Electronic ballasts for Fluorescent 2x26, 32 or 42W in Dual Tap (120/277V). Multi Tap, electronic drivers for LED.

SOCKET

Medium base, 4KV pulse rated porcelain socket for HID lamps. Positive latching thermoplastic socket for fluorescent lamps.

REFLECTOR

Die formed cold rolled steel with a high reflectance white polyester powder coat paint finish.

GASKET

Silicone rubber for long life.

LENS

Tough injection molded polycarbonate for extra impact resistance. UV stabilized.

CATALOG NUMBER LOGIC

VSM-

Product Series

VSM = Vandal Resistant
Surface Mount
Medium

MP

Lamp Type

MP = Metal Halide
Pulse Start
MH = Metal Halide
HP = High Pressure
Sodium
FL = Fluorescent
quad tube

150-

Lamp Wattage

(MP) 50, 70, 100, 150
(MH) 175
(HPS) 35, 50, 70, 100, 150
(FL) 226 = 2 x 26W
232 = 2 x 32W
242 = 2 x 42W

MT-

Voltage

MT = Multi Tap
120/208/240/277V
DT = Dual Tap 120/277V
120V = 120V
480V = 480V

L

Lamp

L = Lamp
Included