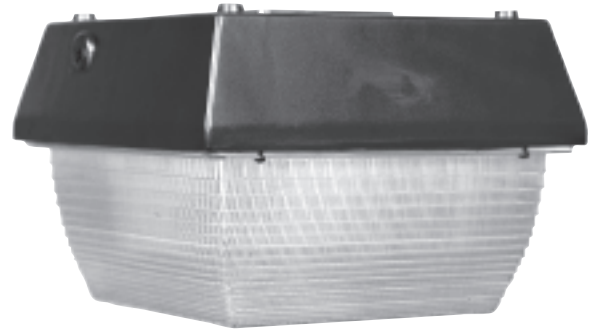


Return to Atlas Lighting Supply



FEATURES

- Die Cast Aluminum Housing
- Injection Molded Lens
- Threaded Conduit Access
- Tamper Proof Screws Available
- Lamp Included



Listed for Wet Locations

70 to 150 watts MH | HPS

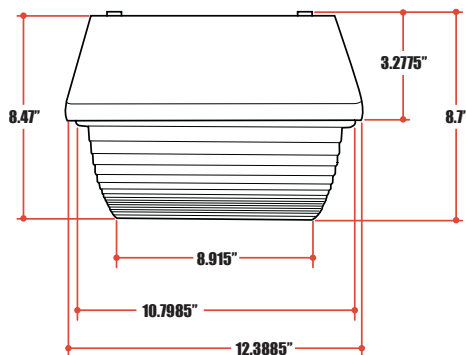
ORDERING INFORMATION

Catalog #	Description	Volts	Ballast Type	Lamp
METAL HALIDE				
VN12-70MHQPK	70 watt MH	Quad V	HX-HPF	MH70/U/M
VN12-100MHQPK	100 watt MH	Quad V	HX-HPF	MH100/U/M
HIGH PRESSURE SODIUM				
VN12-70HPK	70 watt HPS	120 V	R-NPF	C70S62/M
VN12-70HQPK	70 watt HPS	Quad V	HX-HPF	C70S62/M
VN12-100HPK	100 watt HPS	120 V	R-NPF	C100S54/M
VN12-100HQPK	100 watt HPS	Quad V	HX-HPF	C100S54/M
VN12-150HPK	150 watt HPS	120 V	R-NPF	C150S55/M
VN12-150HQPK	150 watt HPS	Quad V	HX-HPF	C150S55/M

Add Suffix WT to Indicate White Housing

DIMENSIONS

Approx. Weight: 18 lbs.



ACCESSORIES (FIELD INSTALLED)

Catalog #	Description	Std. Pkg.	See Pg. #
120-006	Clear Prismatic Diffuser	1	97
TPS143-4	Tamper-proof screws	4	97
80-142	Tamper-proof screw tool	1	97

PHOTOMETRICS

150W HPS @ 15' Mounting Height
Isofootcandles

