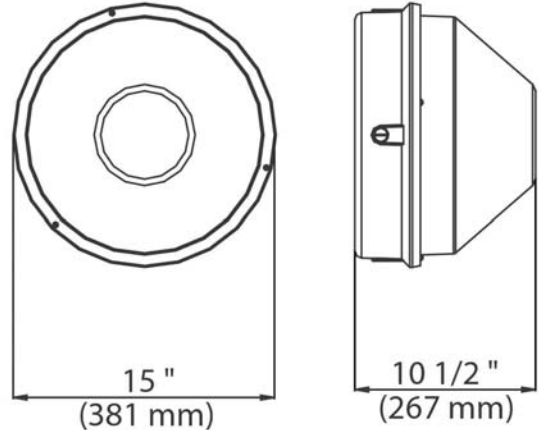


Atlas Lighting Supply
 2828 S. Linwood St
 Visalia, CA 93277
 Ph: 559-804-1664, F: 888-605-2324
 www.atlaslightingsupply.com

**VGLR - Vandal Resistant
 Garage Light Round**
 Metal Halide Pulse Start 70 – 150 W
 Metal Halide 175 W
 High Pressure Sodium 70 – 150 W
 Fluorescent Quad Tube 2 x 26 - 42 W



DESCRIPTION

The VGLR is a 15" diameter Vandal Resistant Garage Light or Canopy Light in a round shape for up to MP 150W, MH 175W, HPS 150W, Fluorescent quad tube 2 x 42W, Induction 40W or LED 4 x 15W lamps. Its rugged die cast aluminum housing and tough polycarbonate lens make it ideal for high abuse, vandalism prone areas. U.L. listed for wet locations.

APPLICATION

Suited for public areas such as underpasses, parking garages, cold storage rooms, building perimeters, schools, corridors and stairwells.

HOUSING

The housing is made of high pressure die cast aluminum and finished in a dark bronze polyester powder coat paint finish for lasting corrosion resistance. 1/2" threaded entry hubs with O-ring gaskets on the sides and back for conduit entry.

BALLAST

High Power Factor, Constant Wattage Autotransformer ballasts, Multi Tap (120/208/240/277V) or reactor 120V ballasts for HPS. Minimum starting temperature is -20°F (-30°C) for MP and MH, -40°F (-40°C) for HPS. Electronic ballasts for Fluorescent 2x26, 32 or 42W in Dual Tap (120/277V). Multi Tap, electronic drivers for LED.

SOCKET

Medium base, 4KV pulse rated porcelain socket for HID lamps. Positive latching thermoplastic socket for fluorescent lamps.

REFLECTOR

Die formed cold rolled steel with a high reflectance white polyester powder coat paint finish.

GASKET

Silicone rubber for long life.

LENS

Tough injection molded polycarbonate for extra impact resistance. UV stabilized.

CATALOG NUMBER LOGIC

VGLR-

Product Series
 VGLR = Vandal Resistant
 Garage Light Round

MP

Lamp Type
 MP = Metal Halide
 Pulse Start
 MH = Metal Halide
 HP = High Pressure
 Sodium
 FL = Fluorescent
 quad tube

150-

Lamp Wattage
 (MP) 70, 100, 150
 (MH) 175
 (HPS) 70, 100, 150
 (FL) 226 = 2 x 26W
 232 = 2 x 32W
 242 = 2 x 42W

MT-

Voltage
 MT = Multi Tap
 120/208/240/277V
 DT = Dual Tap 120/277V
 120V = 120V
 480V = 480V

L

Lamp
 L = Lamp
 Included