

Model No. VE432MVHIPE	
Family	Elite
Ballast Type	Electronic
Lamp Operation	Parallel
Input Voltage	120-277
Input Frequency	50/60 HZ
Starting Method	Instant Start

PRODUCT SPECIFICATIONS

ELECTRONIC BALLAST

Lamp Type	No. of Lamps	Input Voltage (V)	Input Current (A)	Input Power (W)	Power Factor	MAX THD (%)	Ballast Factor	Min. Starting Temperature (°F)	Lamp Current Crest Factor	B.E.F.
F32T8 32W	4	120/277	0.94/0.40	110/108	0.98	10	0.88	0	1.7	0.80/0.81
F25T8 25W	4	120/277	0.73/0.32	86	0.98	10	0.89	0	1.7	1.03
F17T8 17W	4	120/277	0.50/0.22	59	0.98	10	0.91	0	1.7	1.54
F32T8/ES 30W	4	120/277	0.89/0.39	105	0.98	10	0.88	0	1.7	0.84
F32T8/ES 28W	4	120/277	0.82/0.36	97/96	0.98	10	0.88	0	1.7	0.91/0.92
F32T8/ES 25W	4	120/277	0.74/0.32	87	0.98	10	0.88	0	1.7	1.01
F48T12 40W	4	120/277	0.79/0.34	94	0.98	10	0.65	0	1.7	0.69
F48T12 34W	4	120/277	0.65/0.28	77	0.98	10	0.60	0	1.7	0.78
F48T12 25W	4	120/277	0.78/0.34	93	0.98	10	0.94	0	1.7	1.01
FT36W 36/39W	4	120/277	0.80/0.35	95	0.98	10	0.65	0	1.7	0.68
F32T8 32W	3	120/277	0.76/0.33	91/90	0.98	10	0.98	0	1.7	1.08/1.09
F25T8 25W	3	120/277	0.60/0.27	72	0.98	10	0.98	0	1.7	1.36
F17T8 17W	3	120/277	0.42/0.19	50	0.98	15	1.01	0	1.7	2.02
F32T8/ES 30W	3	120/277	0.71/0.31	84	0.98	10	0.98	0	1.7	1.17
F32T8/ES 28W	3	120/277	0.67/0.29	80	0.98	10	0.98	0	1.7	1.23
F32T8/ES 25W	3	120/277	0.60/0.27	72	0.98	10	0.98	0	1.7	1.36
F48T12 40W	3	120/277	0.66/0.29	78	0.98	10	0.72	0	1.7	0.92
F48T12 34W	3	120/277	0.55/0.24	65	0.98	10	0.60	0	1.7	0.92
F48T12 25W	3	120/277	0.64/0.28	77	0.98	10	1.00	0	1.7	1.30
FT36W 36/39W	3	120/277	0.65/0.28	77	0.98	10	0.68	0	1.7	0.88
FT40W 40W	3	120/277	0.87/0.38	104	0.98	10	0.88	0	1.7	0.85
F40T8 40W	3	120/277	0.95/0.41	114/109	0.98	10	0.92	32	1.7	0.81/0.84

Atlas Lighting Supply

2828 S. Linwood St. Visalia, CA 93277
 Phone: 559-697-6764 Fax: 888-605-2324
www.atlaslightingsupply.com

Performance:

- Meets ANSI Standard C82.11-2005
- Meets ANSI Standard C62.41-2002
- Meets FCC18 Class A

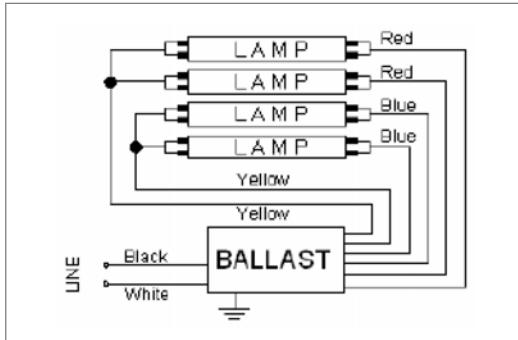
Safety:

- No PCB's
- UL and CUL Listed (Class P, Type 1 Outdoor)
- OCV 600V

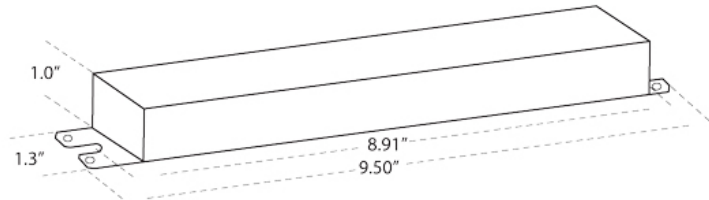
Application:

- Remote Mounting: 18 ft. max. Lead length, 18AWG
- Maximum Ambient Temperature: 105°F
- Sound Rated: A
- Maximum Case Temperature: 167°F

Wiring Diagram



Physical Parameters



Enclosure

	in.
Length (L)	9.5
Width (W)	1.3
Height (H)	1.0
Mounting (M)	8.91
Weight	1.20 lbs

Lead Length

	in. (±1)
Black	25
White	25
Red	31
Blue	31
Yellow	46

Specification data is based on tests performed in a controlled environment and represents relative performance. Actual performance can vary depending on operating conditions. Application and performance data subject to change without notice. All specifications are nominal unless noted otherwise.



Atlas Lighting Supply

2828 S. Linwood St. Visalia, CA 93277
 Phone: 559-697-6764 Fax: 888-605-2324

www.atlaslightingsupply.com