

**Atlas Lighting Supply**  
 2828 S. Linwood St  
 Visalia, CA 93277  
 Ph: 559-804-1664, F: 888-605-2324  
 www.atlaslightingsupply.com

Model No. VE332MVHIPE	
Family	Elite
Ballast Type	Electronic
Lamp Operation	Parallel
Input Voltage	120-277
Starting Method	Instant Start

**PRODUCT SPECIFICATIONS**

**ELECTRONIC BALLAST**

Lamp Type	No. of Lamps	Input Voltage (V)	Input Current (A)	Input Power (W)	Power Factor	MAX THD (%)	Ballast Factor	Min. Starting Temperature (°F)	Lamp Current Crest Factor	B.E.F.
F32T8 32W	3	120/277	0.71/0.31	84/83	0.98	10	0.88	0	1.7	1.05/1.06
F32T8/ES 30W	3	120/277	0.68/0.29	80	0.98	10	0.88	0	1.7	1.10
F32T8/ES 28W	3	120/277	0.63/0.27	74.00	0.98	10	0.88	0	1.7	1.19
F32T8/ES 25W	3	120/277	0.56/0.24	66.00	0.98	10	0.88	0	1.7	1.33

**Performance:**

- Meets ANSI Standard C82.11-2005
- Meets ANSI Standard C62.41-2002
- Meets FCC18 Class A

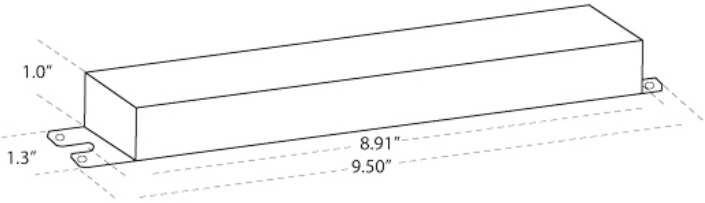
**Safety:**

- No PCB's
- UL and CUL Listed (Class P, Type 1 Outdoor)
- OCV 600V

**Application:**

- Remote Mounting: 18 ft. max. Lead length, 18AWG
- Maximum Ambient Temperature: 105°F
- Sound Rated: A
- Maximum Case Temperature: 167°F

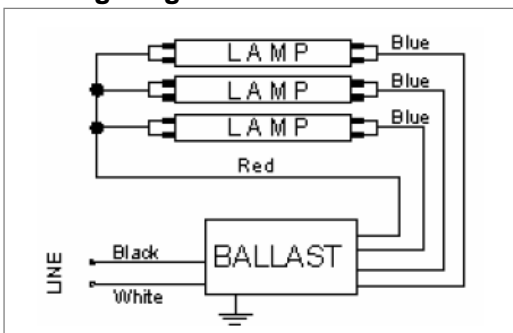
**Physical Parameters**



Enclosure	in.
Length (L)	9.5
Width (W)	1.3
Height (H)	1.0
Mounting (M)	8.91
Weight	1.10 lbs

Lead Length	in. (±1)
Black	25
White	25
Red	46
Blue	31
Yellow	N/A

**Wiring Diagram**



Specification data is based on tests performed in a controlled environment and represents relative performance. Actual performance can vary depending on operating conditions. Application and performance data subject to change without notice. All specifications are nominal unless noted otherwise.

