



Model No. VE232MVHIPE	
Family	Elite
Ballast Type	Electronic
Lamp Operation	Parallel
Input Voltage	120-277
Starting Method	Instant Start

**PRODUCT SPECIFICATIONS**

**ELECTRONIC BALLAST**

Lamp Type	No. of Lamps	Input Voltage (V)	Input Current (A)	Input Power (W)	Power Factor	MAX THD (%)	Ballast Factor	Min. Starting Temperature (°F)	Lamp Current Crest Factor	B.E.F.
F32T8 32W	2	120/277	0.46/0.20	55/54	0.98	10	0.89	0	1.7	1.59/1.60
F32T8/ES/30	2	120/277	0.43/0.19	51	0.98	10/15	0.89	0	1.7	1.74/1.70
F32T8/ES/28	2	120/277	0.41/0.18	49/47	0.98	10	0.89	0	1.7	1.82/1.89
F32T8/ES/25	2	120/277	0.39/0.17	46/45	0.98	10	0.89	0	1.7	1.93/1.98

**Performance:**

- Meets ANSI Standard C82.11-2005
- Meets ANSI Standard C62.41-2002
- Meets FCC18 Class A

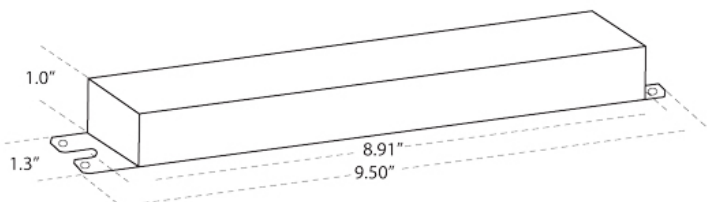
**Safety:**

- No PCB's
- UL and CUL Listed (Class P, Type 1 Outdoor)
- OCV 600V

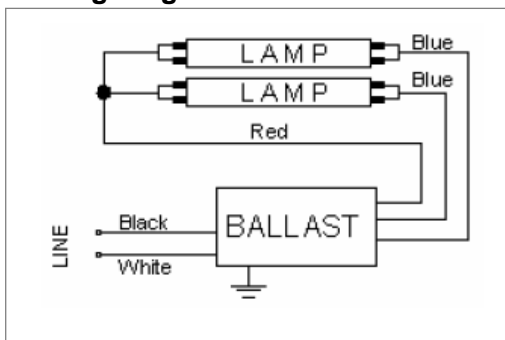
**Application:**

- Remote Mounting: 18 ft. max. Lead length, 18AWG
- Maximum Ambient Temperature: 105°F
- Sound Rated: A
- Maximum Case Temperature: 167°F

**Physical Parameters**



**Wiring Diagram**



**Enclosure**

	in.
Length (L)	9.5
Width (W)	1.3
Height (H)	1.0
Mounting (M)	8.91
Weight	1.10 lbs

**Lead Length**

	in. (±1)
Black	25
White	25
Red	46
Blue	31
Yellow	N/A

Specification data is based on tests performed in a controlled environment and represents relative performance. Actual performance can vary depending on operating conditions. Application and performance data subject to change without notice. All specifications are nominal unless noted otherwise.



**Atlas Lighting Supply**

2828 S. Linwood St. Visalia, CA 93277  
 Phone: 559-697-6764 Fax: 888-605-2324  
[www.atlaslightingsupply.com](http://www.atlaslightingsupply.com)