

125W M150

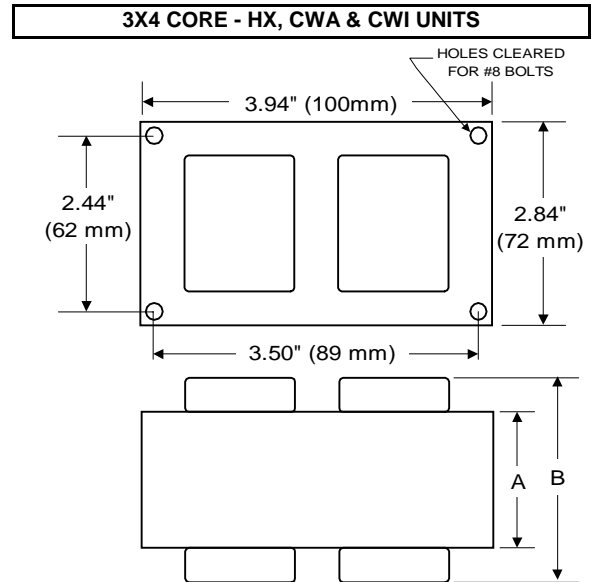
Pulse Start Metal Halide

V90D8811

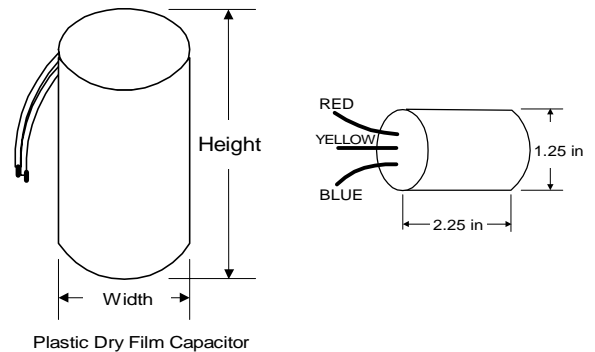
60 Hz CWA

Back to Atlas Lighting Supply

Input Volts	120	208	240	277
Line Current (Amps)				
Operating	1.25	0.75	0.65	0.55
Open Circuit	0.80	0.45	0.40	0.35
Starting	0.80	0.45	0.40	0.35
Regulation				
Line Volts	±10%	±10%	±10%	±10%
Lamp Watts	±10%	±10%	±10%	±10%
UL Temperature Ratings				
Insulation Class	H	H	H	H
Coil Temperature Code	A	A	A	A
Benchtop Coil Rise	66.5	65.0	62.7	61.9
Input Watts	150 W	150 W	150 W	150 W
NOM. Open Circuit Voltage	225	225	225	225
Power Factor	90%	90%	90%	90%
Current Crest Factor	1.60	1.60	1.60	1.60
Input Voltage At Lamp Dropout	80	140	160	185
MIN. Ambient Starting Temp.	-20°F -30°C	-20°F -30°C	-20°F -30°C	-20°F -30°C
60 HZ TEST PROCEDURES				
High Potential Test (Volts)				
1 Minute	1,600 V	1,600 V	1,600 V	1,600 V
1 Second	2,000 V	2,000 V	2,000 V	2,000 V
Open Circuit Voltage Test (V)	200 - 250	200 - 250	200 - 250	200 - 250
Short Circuit Current Test (A)				
Secondary Current Min	1.45	1.45	1.45	1.45
Max	1.80	1.80	1.80	1.80
Input Current Min	0.50	0.30	0.25	0.20
Max	0.85	0.50	0.45	0.35
Recommended Fuse (Amps)	4	3	2	2
CORE and COIL Specifications				
Dimension (A)	1.70 in	1.70 in	1.70 in	1.70 in
Dimension (B)	3.15 in	3.15 in	3.15 in	3.15 in
Weight (lbs.)	5.4 lb's	5.4 lb's	5.4 lb's	5.4 lb's
Lead Lengths	12"	12"	12"	12"
CAPACITOR Specifications				
Microfarads	12.0 uf	12.0 uf	12.0 uf	12.0 uf
Volts (min.)	280 V	280 V	280 V	280 V



Capacitor: ACG321	Ignitor: BVS-031
Temp Rating: 100 °C	Temp: 105 °C
Height: 2.72 in	BTL: 20 ft
Dia/Oval Dim 1.49 in	



Ordering Information Add Suffix for options

- C - With Capacitor
- K - With Capacitor and Bracket Kit
- B - With Welded Bracket no cap

Data is based upon tests performed by Venture Lighting in a controlled environment and is representative of relative performance. Actual performance can vary depending on operating conditions. Specifications are subject to change without notice

11/12/01 **Production**

