

# 150W M102

## Pulse Start Metal Halide

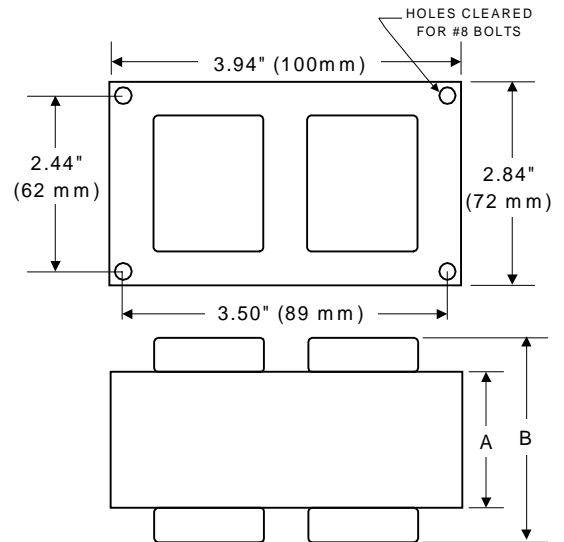
### V90D7110

### 60 Hz CWA

Back to Atlas Lighting Supply

Input Volts	120	208	240	277
Line Current ( Amps )				
Operating	1.70	1.00	0.85	0.75
Open Circuit	1.00	0.60	0.50	0.45
Starting	1.40	0.80	0.70	0.60
Regulation				
Line Volts	±10%	±10%	±10%	±10%
Lamp Watts	±6%	±6%	±6%	±6%
UL Temperature Ratings				
Insulation Class	H	H	H	H
Coil Temperature Code	C	C	C	D
Benchtop Coil Rise	82.6	83.7	83.9	85.2
Input Watts	190 W	190 W	190 W	190 W
NOM. Open Circuit Voltage	240	240	240	240
Power Factor	90%	90%	90%	90%
Current Crest Factor	1.60	1.60	1.60	1.60
Input Voltage At Lamp Dropout	60	104	120	138
MIN. Ambient Starting Temp.	-40°F -40°C	-40°F -40°C	-40°F -40°C	-40°F -40°C
60 HZ TEST PROCEDURES				
High Potential Test (Volts)				
1 Minute	2,000 V	2,000 V	2,000 V	2,000 V
1 Second	2,500 V	2,500 V	2,500 V	2,500 V
Open Circuit Voltage Test (V)	215 - 265	215 - 265	215 - 265	215 - 265
Short Circuit Current Test (A)				
Secondary Current Min	2.15	2.15	2.15	2.15
Max	2.65	2.65	2.65	2.65
Input Current Min	1.00	0.60	0.50	0.45
Max	1.60	0.90	0.80	0.65
Recommended Fuse (Amps)	4	3	3	2
CORE and COIL Specifications				
Dimension (A)	2.50 in	2.50 in	2.50 in	2.50 in
Dimension (B)	3.90 in	3.90 in	3.90 in	3.90 in
Weight (lbs.)	8.2 lb's	8.2 lb's	8.2 lb's	8.2 lb's
Lead Lengths	12 "	12 "	12 "	12 "
CAPACITOR Specifications				
Microfarads	16.0 uf	16.0 uf	16.0 uf	16.0 uf
Volts (min.)	330 V	330 V	330 V	330 V

#### 3X4 CORE - HX, CWA & CWI UNITS

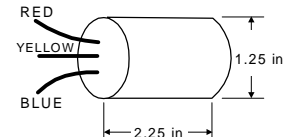
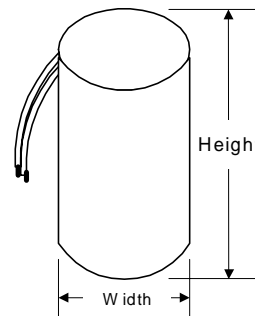


#### Capacitor: ACG301

#### Ignitor: BVS-041

Temp Rating: 100 °C  
Height: 3.92 in  
Dia/Oval Dim 1.49 in

Temp: 105 °C  
BTL: 2 ft



Plastic Dry Film Capacitor

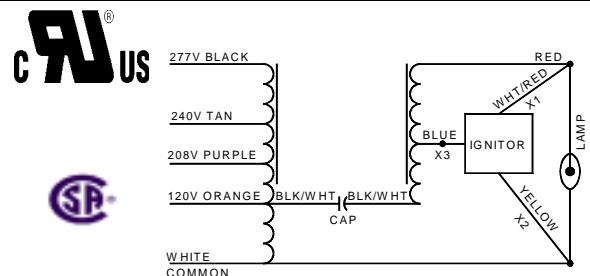
#### Ordering Information Add Suffix for options

- C - With Capacitor
- K - With Capacitor and Bracket Kit
- B - With Welded Bracket no cap

Data is based upon tests performed by Venture Lighting in a controlled environment and is representative of relative performance. Actual performance can vary depending on operating conditions. Specifications are subject to change without notice

10/12/00

Production



## Atlas Lighting Supply

2828 S. Linwood St. Visalia, CA 93277  
Phone: 559-697-6764 Fax: 888-605-2324

[www.atlaslightingsupply.com](http://www.atlaslightingsupply.com)