

70W M98

Pulse Start Metal Halide

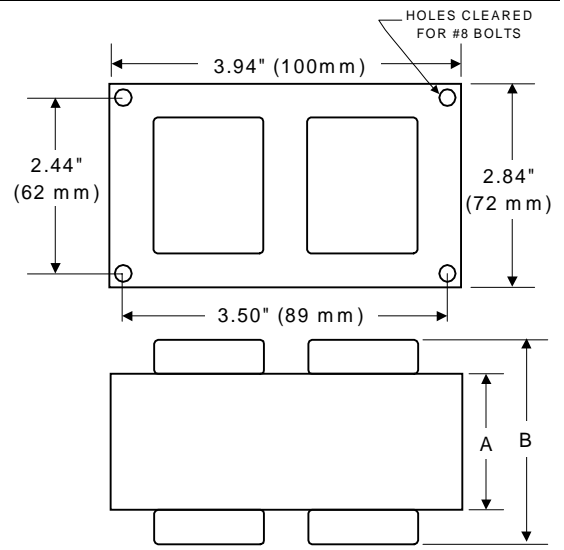
V90D5832

60 Hz HX-HPF

Back to Atlas Lighting Supply

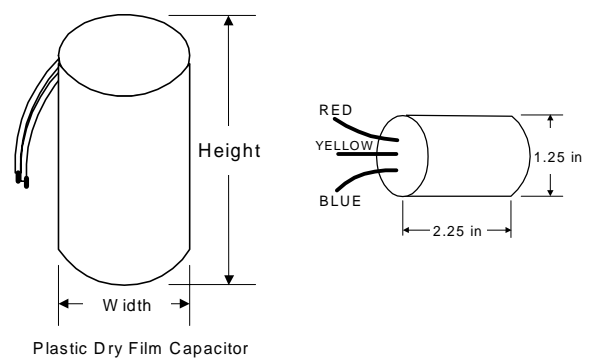
Input Volts	120	208	240	277
Line Current (Amps)				
Operating	0.80	0.45	0.40	0.35
Open Circuit	1.70	0.95	0.85	0.70
Starting	0.70	0.40	0.35	0.30
Regulation				
Line Volts	±5%	±5%	±5%	±5%
Lamp Watts	±9%	±9%	±9%	±9%
UL Temperature Ratings				
Insulation Class	H	H	H	H
Coil Temperature Code	A	A	A	A
Benchtop Coil Rise	49.8	51.2	50.6	52.3
Input Watts	90 W	90 W	90 W	90 W
NOM. Open Circuit Voltage	255	255	255	255
Power Factor	90%	90%	90%	90%
Current Crest Factor	1.50	1.50	1.50	1.50
Input Voltage At Lamp Dropout	85	150	170	195
MIN. Ambient Starting Temp.	-20°F -30°C	-20°F -30°C	-20°F -30°C	-20°F -30°C
60 HZ TEST PROCEDURES				
High Potential Test (Volts)				
1 Minute	2,000 V	2,000 V	2,000 V	2,000 V
1 Second	2,500 V	2,500 V	2,500 V	2,500 V
Open Circuit Voltage Test (V)	230 - 280	230 - 280	230 - 280	230 - 280
Short Circuit Current Test (A)				
Secondary Current Min	1.00	1.00	1.00	1.00
Max	1.25	1.25	1.25	1.25
Input Current Min	0.55	0.30	0.25	0.20
Max	0.85	0.50	0.45	0.35
Recommended Fuse (Amps)	4	3	2	2
CORE and COIL Specifications				
Dimension (A)	1.45 in	1.45 in	1.45 in	1.45 in
Dimension (B)	2.85 in	2.85 in	2.85 in	2.85 in
Weight (lbs.)	4.9 lb's	4.9 lb's	4.9 lb's	4.9 lb's
Lead Lengths	12 "	12 "	12 "	12 "
CAPACITOR Specifications				
Microfarads	8.0 uf	8.0 uf	8.0 uf	8.0 uf
Volts (min.)	280 V	280 V	280 V	280 V

3X4 CORE - HX, CWA & CWI UNITS



Capacitor: ACG310 Ignitor: BVS-032

Temp Rating: 100 °C Temp: 105 °C
Height: 2.73 in BTL: 5 ft
Dia/Oval Dim 1.38 in

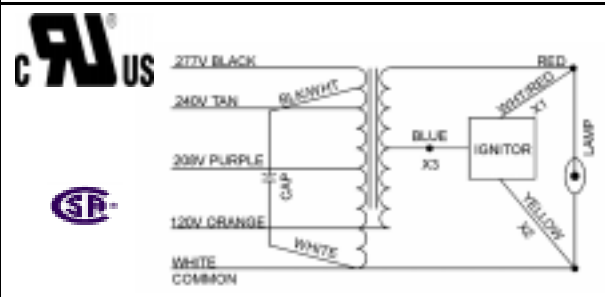


Ordering Information Add Suffix for options

- C - With Capacitor
- K - With Capacitor and Bracket Kit
- B - With Welded Bracket no cap

Data is based upon tests performed by Venture Lighting in a controlled environment and is representative of relative performance. Actual performance can vary depending on operating conditions. Specifications are subject to change without notice

12/20/00 Production



Atlas Lighting Supply

2828 S. Linwood St. Visalia, CA 93277
Phone: 559-697-6764 Fax: 888-605-2324
www.atlaslightingsupply.com