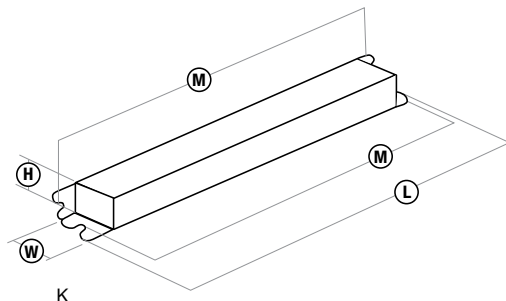


## ELECTRONIC FLUORESCENT BALLASTS

Lamp Type			Input Volts	Product Number	Product Code	Certifications			Line Current (Amps)	Input Power (Watts)	Power Factor	Ballast Factor	THD %	Min Start Temp	Sound Rating	Wire Diag.	Case Dim.	Spec Page
Qty	Watts	Start Type				UL	cUL	CSA										
<b>F4T5</b>																		
1	4	RS	120	50102	E108RS/120	X	X	0.095	5.8	0.51	1.20	<150	0°F	A	1-7	K1	58	
2	4	RS	120	50102	E108RS/120	X	X	0.12	8	0.55	1.00	<130	0°F	A	1-7	K1	58	
<b>F6T5</b>																		
1	6	RS	120	50102	E108RS/120	X	X	0.12	7.5	0.55	1.10	<130	0°F	A	1-7	K1	58	
2	6	RS	120	50104	E114RS/120	X	X	0.23	14	0.53	1.00	<130	0°F	A	2-7	K1	59	
<b>F8T5</b>																		
1	8	RS	120	50102	E108RS/120	X	X	0.13	8.5	0.55	1.00	<130	0°F	A	1-7	K1	58	
2	8	RS	120	50104	E114RS/120	X	X	0.25	16	0.53	0.95	<130	0°F	A	2-7	K1	59	
<b>F13T5</b>																		
1	13	RS	120	50104	E114RS/120	X	X	0.22	14	0.53	0.95	<130	0°F	A	1-7	K1	59	
<b>F14T5</b>																		
1	14	RS	120	50104	E114RS/120	X	X	0.23	15	0.54	0.95	<130	0°F	A	1-7	K1	59	
<b>F21T5</b>																		
1	21	RS	120	50104	E114RS/120	X	X	0.30	20.5	0.57	0.80	<130	0°F	A	1-7	K1	59	

Case Diagram



Case Dimensions

Drawing #	Overall (L)	Width (W)	Height (H)	Mounting (M)
K1	5.91"	0.92"	0.76"	5.63"

Wiring Diagrams

