

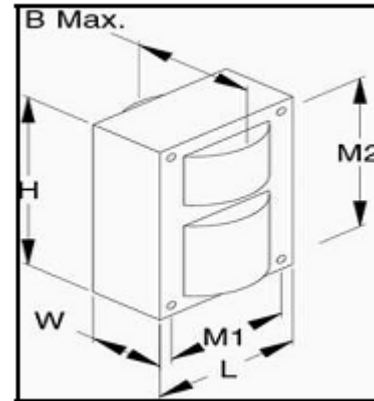
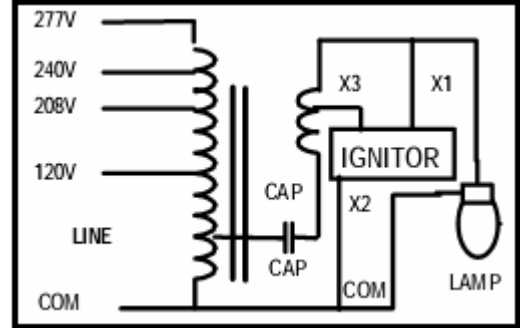
3 Year Warranty

| | |
|----------|-------------------------------|
| Catalog# | BB-0320PSA6CC |
| Type: | 320W Metal Halide Pulse Start |
| Voltage: | Quad(120/208/240/277) |

General Information

| | |
|----------------------------|---------------------|
| Lamp Type | 320W MH Pulse Start |
| ANSI Designation | M132 |
| Line Voltage(V) | 120/208/240/277 |
| Regulation | 10% |
| Frequency(Hz) | 60 |
| Recommended Fuse(A) | 8/5/5/3 |
| Circuit Type | CWA |
| Insulation Class | 180°C |
| Capacitor Value | 21MF |
| Capacitor Voltage Rating | 345V |
| Cap. Temp. Rating | 90°C |
| Winding Materials(Pri/Sec) | Al/Al |
| Lamp Starter | BI-802 |
| Agency Certification | RU,cRU |
| Maximum Distance to Lamp | 2FT |

Wiring Diagram



Electrical Characteristics

| Line Volt (V) | Power Factor | Line Current (A) | | | Input Power (W) | Open Circuit Voltage (V) | Min Start Temp. | UL Temp. Code |
|---------------|--------------|------------------|------|-------|-----------------|--------------------------|-----------------|---------------|
| | | Operating | Open | Start | | | | |
| 120 | High | 3.20 | 2.53 | 0.90 | 370 | 270 | -30°C | A |
| 208 | High | 1.83 | 1.41 | 0.48 | 370 | 270 | -30°C | A |
| 240 | High | 1.61 | 1.30 | 0.43 | 370 | 270 | -30°C | A |
| 277 | High | 1.39 | 1.12 | 0.38 | 370 | 270 | -30°C | A |

Physical Characteristics

| Overall Dimensions (Inches) | | | | Mounting Holes (Inches) | | | Bracket Dimension (Inches) | | Ballast Net Weight (KG) | Lead Length (Inches) |
|-----------------------------|-------|--------|--------|-------------------------|------|------|----------------------------|-------|-------------------------|----------------------|
| Length | Width | Height | B max. | Diameter | M1 | M2 | Length | Width | | |
| 4.25 | 1.75 | 4.75 | 3.60 | 0.25 | 3.87 | 4.38 | 7.25 | 1.11 | 5.00 | 12-14 |