

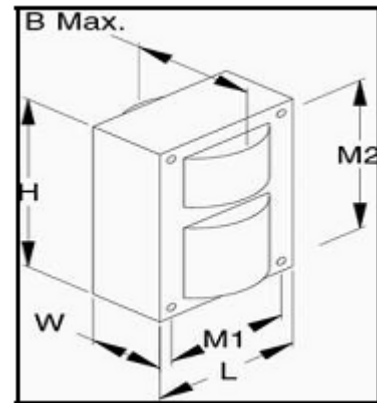
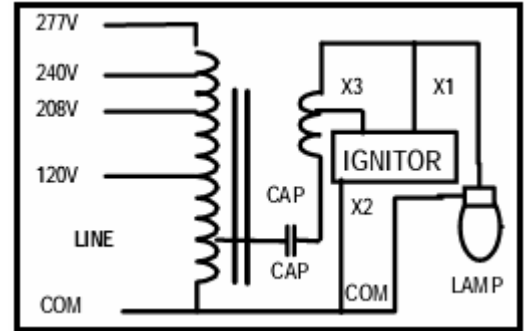
3 Year Warranty

Catalog#	BB-0200PSA6CC
Type:	200W Metal Halide Pulse Start
Voltage:	Quad(120/208/240/277)

General Information

Lamp Type	200W MH Pulse Start
ANSI Designation	M136
Line Voltage(V)	120/208/240/277
Regulation	10%
Frequency(Hz)	60
Recommended Fuse(A)	6/4/4/3
Circuit Type	CWA
Insulation Class	180°C
Capacitor Value	13MF
Capacitor Voltage Rating	300V
Cap. Temp. Rating	90°C
Winding Materials(Pri/Sec)	Al/Al
Lamp Starter	BI-802
Agency Certification	RU,cRU
Maximum Distance to Lamp	2FT

Wiring Diagram



Electrical Characteristics

Line Volt (V)	Power Factor	Line Current (A)			Input Power (W)	Open Circuit Voltage (V)	Min Start Temp.	UL Temp. Code
		Operating	Open	Start				
120	High	2.20	1.63	1.15	265	235	-30°C	A
208	High	1.25	0.92	0.67	265	235	-30°C	A
240	High	1.10	0.81	0.58	265	235	-30°C	A
277	High	0.95	0.71	0.51	265	235	-30°C	A

Physical Characteristics

Overall Dimensions (Inches)				Mounting Holes (Inches)			Bracket Dimension (Inches)		Ballast Net Weight (KG)	Lead Length (Inches)
Length	Width	Height	B max.	Diameter	M1	M2	Length	Width		
2.80	2.42	3.94	3.86	0.25	2.44	3.50	5.50	1.25	3.45	12-14

Atlas Lighting Supply

2828 S. Linwood St. Visalia, CA 93277
 Phone: 559-697-6764 Fax: 888-605-2324

www.atlaslightingsupply.com