

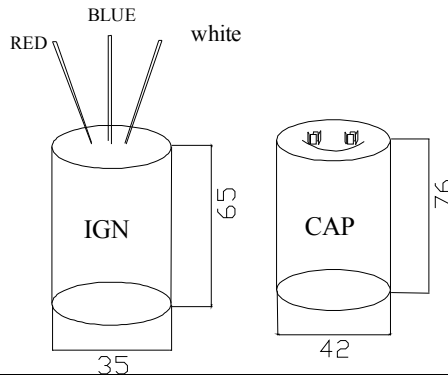
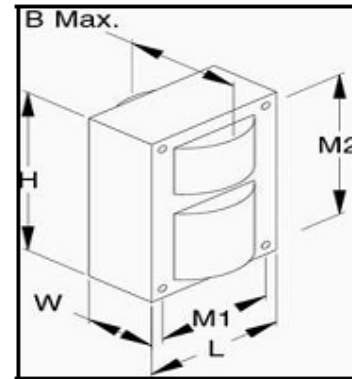
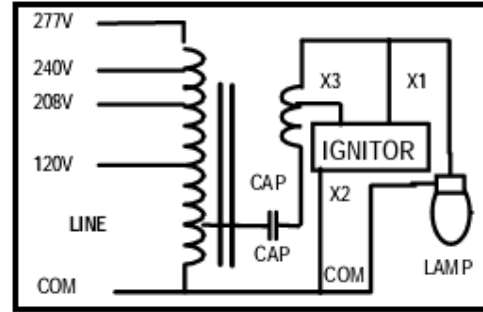
**3 Year Warranty**

**General Information**

Catalog#	BB-0175PSA6CC
Type:	175W Metal Halide
Voltage:	Quad(120/208/240/277)

Lamp Type	175W MH
ANSI Designation	M136
Line Voltage(V)	120/208/240/277
Regulation	10%
Frequency(Hz)	60
Recommended Fuse(A)	5/3/3/2
Circuit Type	CWA
Insulation Class	180°C
Capacitor Value	13 UF
Capacitor Voltage Rating	400V
Cap.Temp.Rating	105°C
Winding Materials(Pri/Sec)	Al/Al
Lamp Starter	N/A
Agency Certification	
Maximum Distance to Lamp	N/A
Leads	155°C

**Wiring Diagram**



**Electrical Characteristics**

Line Volt (V)	Power Factor	Line Current (A)			Input Power (W)	Open Circuit Voltage (V)	Min Start Temp.
		Operating	Open	Start			
120	High	1.90	1.0	1.0	210	265	-40°C
208	High	0.6	1.0	0.6	210	265	-40°C
240	High	0.95	0.5	0.5	210	265	-40°C
277	High	0.80	0.45	0.45	210	265	-40°C

**Physical Characteristics**

Overall Dimensions (Inches)				Mounting Holes (Inches)			Bracket Dimension (Inches)		Ballast Net Weight (KG)	Lead Length (Inches)
Length	Width	Height	B max.	Diameter	M1	M2	Length	Width		
2.80	2.24	3.94	3.8	0.25	2.44	3.50	5.50	1.25	3.39	12-14

**Atlas Lighting Supply**

2828 S. Linwood St. Visalia, CA 93277  
 Phone: 559-697-6764 Fax: 888-605-2324  
[www.atlaslightingsupply.com](http://www.atlaslightingsupply.com)