

120Vac & 277V 20W/39W Mini Stick Electronic Metal Halide Ballast

Model PS10B20K & PS10B39K



INPUT SPECIFICATIONS

- Vac 95-135 Vac
- PS10B20K Amp's 0.20A @ 20W
- PS10B39K Amp's 0.35A @ 39W
- PS10D20K Amp's 0.09A @ 20W
- PS10D39K Amp's 0.15A @ 39W
- Frequency 50/60Hz
- THD <10% (7% Typ.)
- Power Factor >98%

Model PS10D20K & PS10D39K



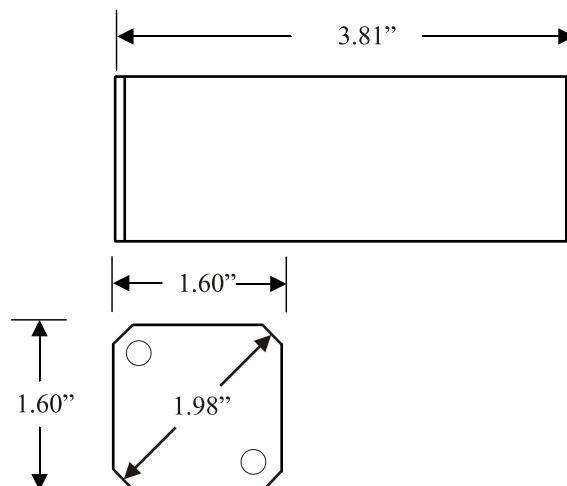
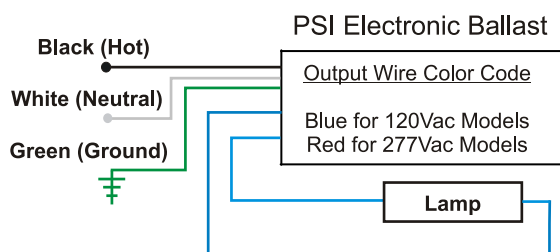
OUTPUT SPECIFICATIONS

- PS10B20K, PS10D20K Lamp Power 20W +/- 2%
- PS10B39K, PS10D39K Lamp Power 39W +/- 2%
- Lamp Drive Frequency 150Hz +/-10%
- Lamp Current Crest Factor <1.2
- Open Circuit Voltage >300V Square Wave
- Ignitor Voltage @ Ballast Leads >3.8KV
- Ignition Failure Timeout 30 Min. Shutdown
- Maximum distance from Ballast 2.5M or (8.2 feet) Max.
- Compatible 39W ANSI Lamp Types M130
- Compatible 20W ANSI Lamp Types M156

MECHANICAL / ENVIRONMENTAL

- Enclosure Overall Dimensions 'both Models'
- Unit Weight
- Operating Temperature
- EMI / RFI Compliance
- Sound Rating
- UL / CUL Listed
- Warranty up to 5 years.

3.81" L x 1.60" W x 1.60" H 'Also available with Feet'
 16.8oz.
 Min. Temp -30°C - Max. Temp 90°C
 FCC Part 18
 Rated 'A'
 File #E173598



Atlas Lighting Supply

2828 S. Linwood St. Visalia, CA 93277
 Phone: 559-741-9803 Fax: 559-733-1407
www.atlaslightingsupply.com

Manufacturer reserves the right to modify any specifications without notice