

**Atlas Lighting Supply**  
 2828 S. Linwood St  
 Visalia, CA 93277  
 Ph: 559-697-6764, F: 888-605-2324  
 www.atlaslightingsupply.com

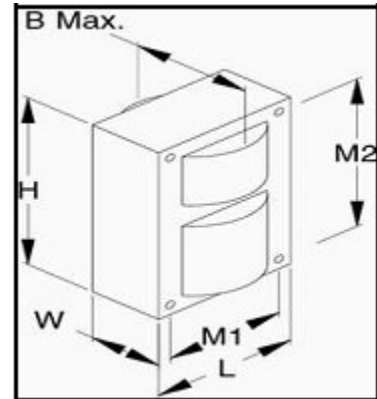
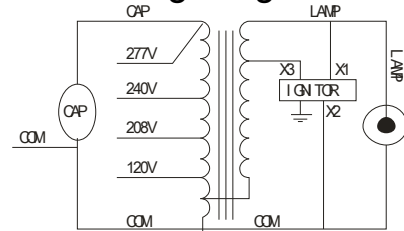
Catalog #	BB-0070MHA6HC
Type:	70W Metal Halide
Voltage:	Quad(120/208/240/277)

**2 Year Warranty**

### General Information

Lamp Type	70W MH
ANSI Designation	M98
Line Voltage(V)	120/208/240/277
Regulation	5%
Frequency(Hz)	60
Recommended Fuse(A)	4/3/2/2
Circuit Type	HX-HPF
Insulation Class	180°C
Capacitor Value	8 MF
Capacitor Voltage Rating	280V
Cap.Temp.Rating	105°C
Winding Materials(Pri/Sec)	Al/Al
Lamp Starter	BI-802
Agency Certification	RU,cRU
Maximum Distance to Lamp	2FT

### Wiring Diagram



### Electrical Characteristics

Line Volt (V)	Power Factor	Line Current (A)			Input Power (W)	Open Circuit Voltage (V)	Min Start Temp.	UL Temp. Code
		Operating	Open	Start				
120	High	0.86	1.54	0.91	93	263	-40°C	B
208	High	0.51	0.80	0.56	93	263	-40°C	C
240	High	0.43	1.77	0.46	93	263	-40°C	B
277	High	0.39	0.67	0.42	93	263	-40°C	C

### Physical Characteristics

Overall Dimensions (Inches)				Mounting Holes (Inches)			Bracket Dimension (Inches)		Ballast Net Weight (KG)	Lead Length (Inches)
Length	Width	Height	B max.	Diameter	M1	M2	Length	Width		
2.80	2.00	3.94	3.35	0.25	2.44	3.50	5.50	1.25	1.75	12-14