

Atlas Lighting Supply

2828 S. Linwood St
Visalia, CA 93277

Ph: 559-804-1664, F: 888-605-2324
www.atlaslightingsupply.com

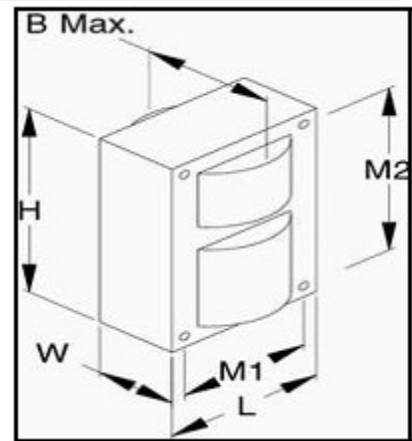
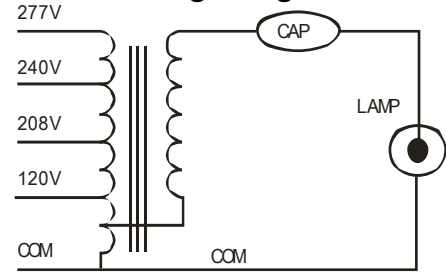
2 Year Warranty

Catalog #	BB-0400MHA6CC
Type:	400W Metal Halide
Voltage:	Quad(120/208/240/277)

General Information

Lamp Type	400W MH
ANSI Designation	M59 or H33
Line Voltage(V)	120/208/240/277
Regulation	10%
Frequency(Hz)	60
Recommended Fuse(A)	10/7/5/5
Circuit Type	CWA
Insulation Class	180°C
Capacitor Value	24MF
Capacitor Voltage Rating	400V
Cap. Temp. Rating	105°C
Winding Materials(Pri/Sec)	Al/Al
Lamp Starter	N/A
Agency Certification	RU,cRU
Maximum Distance to Lamp	N/A

Wiring Diagram



Electrical Characteristics

Line Volt (V)	Power Factor	Line Current (A)			Input Power (W)	Open Circuit Voltage (V)	Min Start Temp.	UL Temp. Code
		Operating	Open	Start				
120	High	4.00	2.95	2.50	430	300	-30°C	C
208	High	2.30	1.85	1.40	430	300	-30°C	D
240	High	2.00	1.65	1.20	430	300	-30°C	C
277	High	1.70	1.45	1.00	430	300	-30°C	D

Physical Characteristics

Overall Dimensions (Inches)				Mounting Holes (Inches)			Bracket Dimension (Inches)		Ballast Net Weight (KG)	Lead Length (Inches)
Length	Width	Height	B max.	Diameter	M1	M2	Length	Width		
4.25	2.32	4.75	4.13	0.25	3.87	4.38	7.25	1.11	5.18	12-14