

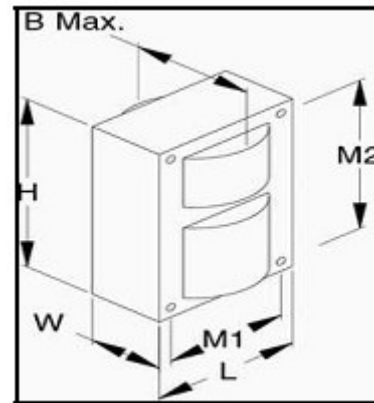
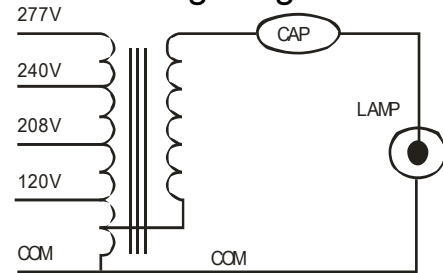
**2 Year Warranty**

Catalog #	BB-0175MHA6CC
Type:	175W Metal Halide
Voltage:	Quad(120/208/240/277)

### General Information

Lamp Type	175W MH
ANSI Designation	M57,H39 or M107
Line Voltage(V)	120/208/240/277
Regulation	10%
Frequency(Hz)	60
Recommended Fuse(A)	5/3/3/2
Circuit Type	CWA
Insulation Class	180°C
Capacitor Value	10 MF
Capacitor Voltage Rating	400V
Cap. Temp. Rating	90°C
Winding Materials(Pri/Sec)	Al/Al
Lamp Starter	N/A
Agency Certification	RU,cRU
Maximum Distance to Lamp	N/A

### Wiring Diagram



### Electrical Characteristics

Line Volt (V)	Power Factor	Line Current (A)			Input Power (W)	Open Circuit Voltage (V)	Min Start Temp.	UL Temp. Code
		Operating	Open	Start				
120	High	1.90	2.09	0.72	200	293	-40°C	D
208	High	1.00	1.22	0.42	200	293	-40°C	D
240	High	0.95	1.09	0.38	200	293	-40°C	D
277	High	0.80	0.93	0.33	200	293	-40°C	D

### Physical Characteristics

Overall Dimensions (Inches)				Mounting Holes (Inches)			Bracket Dimension (Inches)		Ballast Net Weight (KG)	Lead Length (Inches)
Length	Width	Height	B max.	Diameter	M1	M2	Length	Width		
2.80	2.42	3.94	3.86	0.25	2.44	3.50	5.50	1.25	3.39	12-14