

Atlas Lighting Supply

2828 S. Linwood St

Visalia, CA 93277

Ph: 559-804-1664, F: 888-605-2324

www.atlaslightingsupply.com

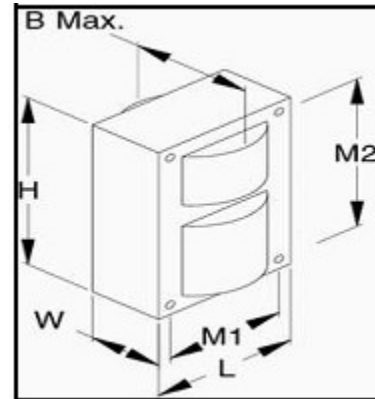
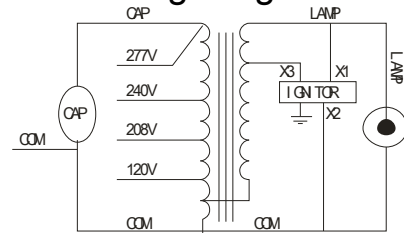
2 Year Warranty

Catalog #	BB-0150MHA6HC
Type:	150W Metal Halide
Voltage:	Quad(120/208/240/277)

General Information

Lamp Type	150W MH
ANSI Designation	M102
Line Voltage(V)	120/208/240/277
Regulation	5%
Frequency(Hz)	60
Recommended Fuse(A)	10/5/5/4
Circuit Type	HX-HPF
Insulation Class	180°C
Capacitor Value	16 MF
Capacitor Voltage Rating	280V
Cap.Temp.Rating	105°C
Winding Materials(Pri/Sec)	Al/Al
Lamp Starter	BI-802
Agency Certification	RU,cRU
Maximum Distance to Lamp	2FT

Wiring Diagram



Electrical Characteristics

Line Volt (V)	Power Factor	Line Current (A)			Input Power (W)	Open Circuit Voltage (V)	Min Start Temp.	UL Temp. Code
		Operating	Open	Start				
120	High	1.61	3.53	1.43	190	260	-30°C	A
208	High	0.97	2.03	0.95	190	260	-30°C	A
240	High	0.83	1.75	0.81	190	260	-30°C	A
277	High	0.67	1.53	0.65	190	260	-30°C	A

Physical Characteristics

Overall Dimensions (Inches)				Mounting Holes (Inches)			Bracket Dimension (Inches)		Ballast Net Weight (KG)	Lead Length (Inches)
Length	Width	Height	B max.	Diameter	M1	M2	Length	Width		
2.80	2.60	3.94	3.90	0.25	2.44	3.50	5.50	1.25	3.11	12-14