

Catalog Number: **MH120MV-XXX**

For 20W Metal Halide Lamp

(ANSI M110 or M130)

120 – 277 50/60 Hz Electronic

Ballast Family: PROLUX

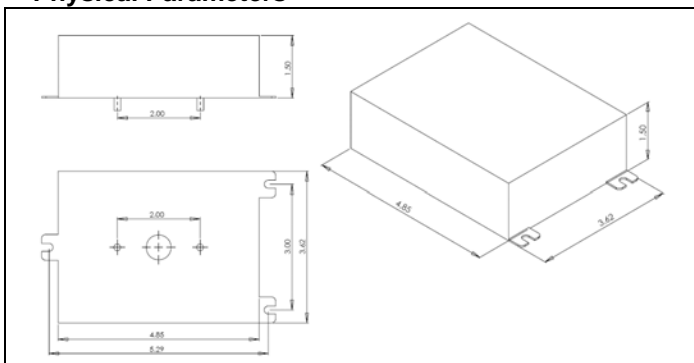
Status: RELEASED

PRODUCT SPECIFICATIONS

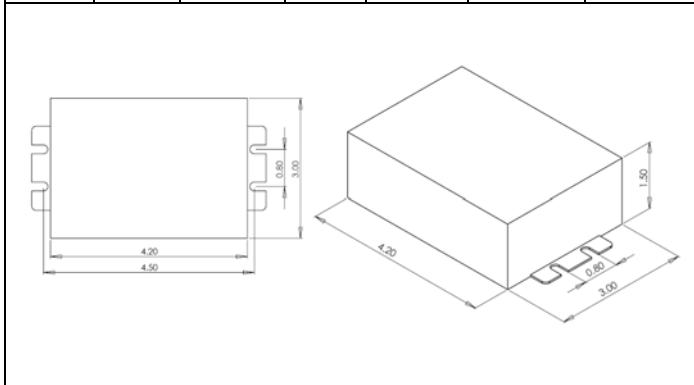
ELECTRONIC HID BALLAST

Lamp		Input Volts	Model Number	Line Current (Amps)	Input Power (Watts)	Lamp Regulation	Power Factor	THD	Max Distance to Lamp (ft)	Lamp Current Crest Factor
Number	Watts									
20 Watt Electronic HID Ballast for (1) 20W Ceramic Metal Halide Lamp Minimum Starting Temp -5°F, -20°C										
1	20	120 277	MH120MV-XXX	0.21 0.10	24	±5%	> 0.95	< 15%	6	< 1.4

Physical Parameters

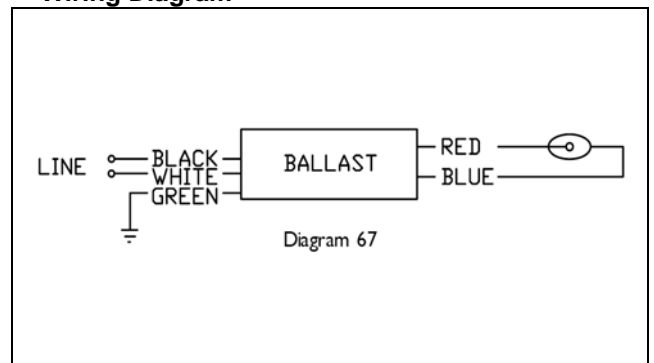


Case Figure	Case Length	Case Width	Height	Mounting Length	Mounting Width
AC	4.85"	3.62"	1.50"	5.29"	3.00"



Case Figure	Case Length	Case Width	Height	Mounting Length	Mounting Width
AD	4.20"	3.00"	1.50"	4.50"	0.80"

Wiring Diagram



Install in accordance with the National Electrical Code

Ordering Information			
Order Suffix	Description	Dimension	Wiring Diagram
-BLS	Bottom exit leads with mounting studs	AC	67
-LS	Side exit leads with mounting feet	AD	67
-LFS	Side exit leads from same end with mounting feet	AD	67

Performance:

- Short Circuit Operation Protection
- Open Circuit Operation Protection
- Ingitor Failure Protection
- Thermal Protection
- End of Lamp Life Protection
- High Power Voltage

Application:

- Minimum Starting Temperature: -4°F, -20°C
- Maximum Ambient Temperature: 140°F, 60°C
- Maximum Case Temperature (@tc): 167°F, 75°C
- Sound Rated: A

Safety:

- UL listed
- CE Certified

Specification data is based on tests performed in a controlled environment and represents relative performance. Actual performance can vary depending on operating conditions. Application and performance data subject to change without notice. All specifications are nominal unless noted otherwise.



Atlas Lighting Supply

2828 S. Linwood St. Visalia, CA 93277

Phone: 559-697-6764 Fax: 888-605-2324

www.atlaslightingsupply.com