

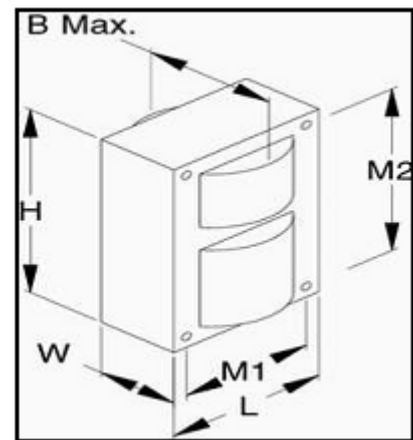
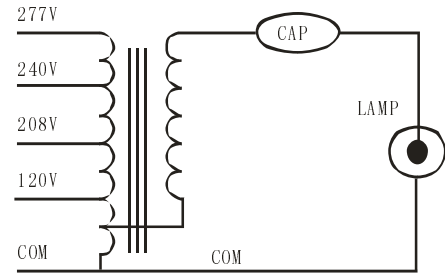
Catalog#	BB-1000MHC6CC
Type:	1000W Metal Halide
Voltage:	Quad(120/208/240/277)

3 Year Warranty

General Information

Lamp Type	1000W MH
ANSI Designation	M47 or H36
Line Voltage(V)	120/208/240/277
Regulation	10%
Frequency(Hz)	60
Recommended Fuse(A)	20/15/10/10
Circuit Type	CWA
Insulation Class	180°C
Capacitor Value	24MF
Capacitor Voltage Rating	480V
Cap.Temp.Rating	105°C
Winding Materials(Pri/Sec)	Al/Al
Lamp Starter	N/A
Agency Certification	RU,cRU
Maximum Distance to Lamp	N/A

Wiring Diagram



Electrical Characteristics

Line Volt (V)	Power Factor	Line Current (A)			Input Power (W)	Open Circuit Voltage (V)	Min Start Temp.	UL Temp. Code
		Operating	Open	Start				
120	High	9.50	5.30	9.10	1070	415	-30°C	D
208	High	5.20	3.10	4.80	1070	415	-30°C	C
240	High	4.50	2.70	4.00	1070	415	-30°C	D
277	High	3.90	2.40	3.95	1070	415	-30°C	D

Physical Characteristics

Overall Dimensions (Inches)				Mounting Holes (Inches)			Bracket Dimension (Inches)		Ballast Net Weight (KG)	Lead Length (Inches)
Length	Width	Height	B max.	Diameter	M1	M2	Length	Width		
4.41	3.46	5.75	5.43	0.25	4.00	5.37	7.25	1.11	9.11	12-14

Atlas Lighting Supply

2828 S. Linwood St. Visalia, CA 93277

Phone: 559-741-9803 Fax: 559-733-1407

www.atlaslightingsupply.com