

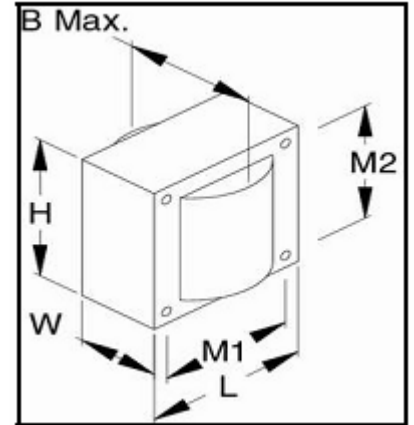
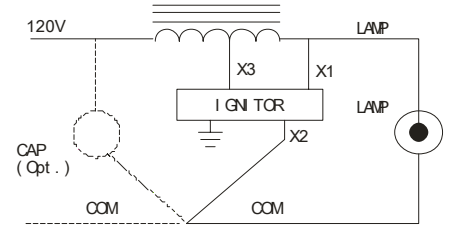
3 Year Warranty

Catalog#	BB-0070HPC6RC
Type:	70W High Pressure Sodium
Voltage:	120V

General Information

Lamp Type	70W HPS
ANSI Designation	S62
Line Voltage(V)	120
Regulation	5%
Frequency(Hz)	60
Recommended Fuse(A)	8/5
Circuit Type	Reactor
Insulation Class	180°C
Capacitor Value	28 MF for HPF
Capacitor Voltage Rating	120V
Cap.Temp.Rating	105°C
Winding Materials(Pri/Sec)	Al/Al
Lamp Starter	BI-801
Agency Certification	RU,cRU
Maximum Distance to Lamp	2FT

Wiring Diagram



Electrical Characteristics

Line Volt (V)	Power Factor	Line Current (A)			Input Power (W)	Open Circuit Voltage (V)	Min Start Temp.	UL Temp. Code
		Operating	Open	Start				
120	NPF	1.3	NA	2.1	86	120	-40°C	A

Physical Characteristics

Overall Dimensions (Inches)				Mounting Holes (Inches)			Bracket Dimension (Inches)		Ballast Net Weight (KG)	Lead Length (Inches)
Length	Width	Height	B max.	Diameter	M1	M2	Length	Width		
2.64	1.46	2.25	2.25	0.203	2.19	1.79	-	-	0.890	12-14

Atlas Lighting Supply

2828 S. Linwood St. Visalia, CA 93277
 Phone: 559-697-6764 Fax: 888-605-2324
www.atlaslightingsupply.com