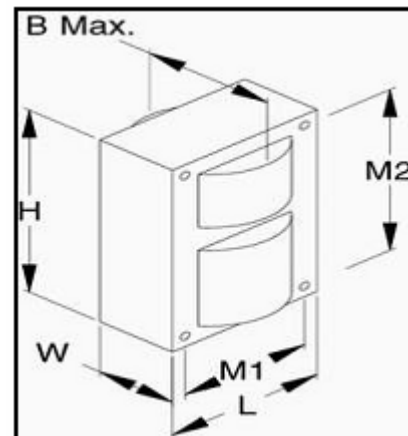
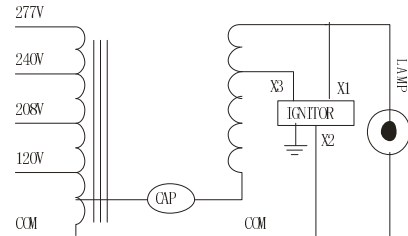


Catalog#	BB-0400HPA6CC
Type:	400W High Pressure Sodium
Voltage:	Quad(120/208/240/277)

3 Year Warranty
General Information

Lamp Type	400W HPS
ANSI Designation	S51
Line Voltage(V)	120/208/240/277
Regulation	10%
Frequency(Hz)	60
Recommended Fuse(A)	10/8/5/5
Circuit Type	CWA
Insulation Class	180°C
Capacitor Value	55 MF
Capacitor Voltage Rating	300V
Cap.Temp.Rating	105°C
Winding Materials(Pri/Sec)	Al/Al
Lamp Starter	BI-802
Agency Certification	RU,cRU
Maximum Distance to Lamp	2FT

Wiring Diagram



Electrical Characteristics

Line Volt (V)	Power Factor	Line Current (A)			Input Power (W)	Open Circuit Voltage (V)	Min Start Temp.	UL Temp. Code
		Operating	Open	Start				
120	High	3.80	1.70	3.10	465	190	-40°C	D
208	High	2.20	1.00	1.80	465	190	-40°C	C
240	High	1.90	0.90	1.60	465	190	-40°C	C
277	High	1.70	0.70	1.35	465	190	-40°C	D

Physical Characteristics

Overall Dimensions (Inches)				Mounting Holes (Inches)			Bracket Dimension (Inches)		Ballast Net Weight (KG)	Lead Length (Inches)
Length	Width	Height	B max.	Diameter	M1	M2	Length	Width		
4.30	2.76	4.80	4.25	0.25	3.87	4.38	7.25	1.11	6.28	12-14