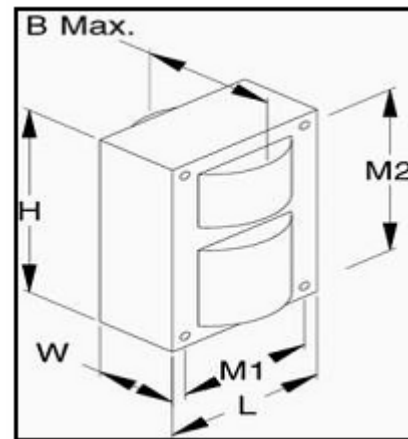
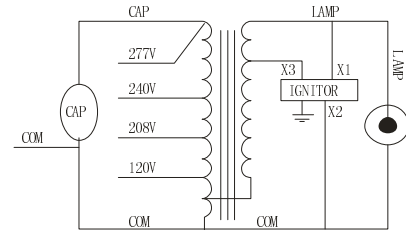


Catalog#	BB-0100HPA6HC
Type:	100W High Pressure Sodium
Voltage:	Quad(120/208/240/277)

3 Year Warranty
General Information

Lamp Type	100W HPS
ANSI Designation	S54
Line Voltage(V)	120/208/240/277
Regulation	10%
Frequency(Hz)	60
Recommended Fuse(A)	7/5/3/3
Circuit Type	HX-HPF
Insulation Class	180°C
Capacitor Value	10MF
Capacitor Voltage Rating	300V
Cap.Temp.Rating	105°C
Winding Materials(Pri/Sec)	Al/Al
Lamp Starter	BI-801
Agency Certification	RU,cRU
Maximum Distance to Lamp	2FT

Wiring Diagram



Electrical Characteristics

Line Volt (V)	Power Factor	Line Current (A)			Input Power (W)	Open Circuit Voltage (V)	Min Start Temp.	UL Temp. Code
		Operating	Open	Start				
120	High	2.60	1.95	1.20	130	120	-40°C	B
208	High	1.50	1.10	0.75	130	120	-40°C	D
240	High	1.30	1.00	0.60	130	120	-40°C	D
277	High	1.15	0.90	0.55	130	120	-40°C	D

Physical Characteristics

Overall Dimensions (Inches)				Mounting Holes (Inches)			Bracket Dimension (Inches)		Ballast Net Weight (KG)	Lead Length (Inches)
Length	Width	Height	B max.	Diameter	M1	M2	Length	Width		
2.80	2.25	3.94	3.59	0.25	2.40	3.54	5.50	1.25	2.76	12-14

Atlas Lighting Supply

2828 S. Linwood St. Visalia, CA 93277
 Phone: 559-741-9803 Fax: 559-733-1407

www.atlaslightingsupply.com