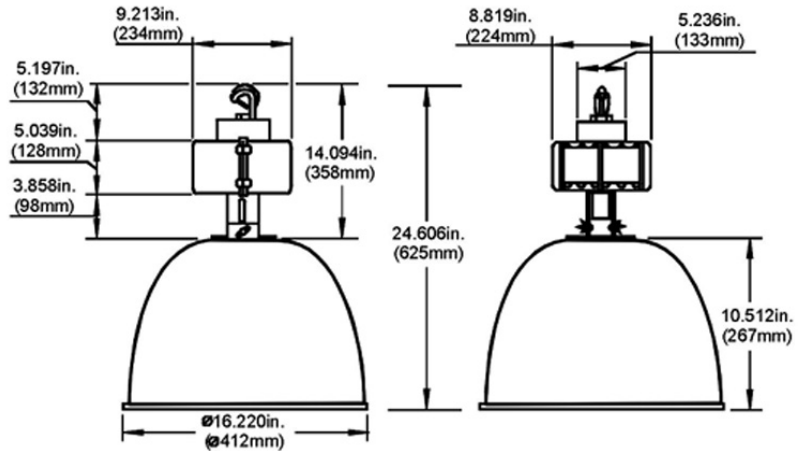


**HB - High Bay Aluminum Reflector**  
 Metal Halide Pulse Start 200 – 400 W  
 Metal Halide 400 W  
 High Pressure Sodium 150 – 400 W



**DESCRIPTION**

The HB is a versatile High Bay fixture for general purpose industrial lighting needs. U.L. damp location listed.

**APPLICATION**

Suitable for use in factories, warehouses and other areas that have mounting heights of 20' (6 m) or more.

**HOUSING**

The housing is made of high pressure die cast aluminum and finished in a white polyester powder coat paint finish for lasting corrosion resistance.

**BALLAST**

High Power Factor, Constant Wattage Autotransformer ballasts. Multi Tap (120/208/240/277V) or 480V ballasts. Minimum starting temperature is -20°F (-30°C) for MP and MH, -40°F (-40°C) for HPS.

**SOCKET**

Mogul base, 4KV pulse rated porcelain socket.

**MOUNTING**

Junction box and hook with safety screw included. 3/4" threaded opening on the top of the junction box for pendant mounting.

**REFLECTOR**

16" or 22" anodized aluminum. Adjustable positions for choice of distribution patterns.

**CATALOG NUMBER LOGIC**

**HB-**

**Product Series**  
 HB = High Bay

**MP**

**Lamp Type**  
 MP = Metal Halide Pulse Start  
 MH = Metal Halide  
 HP = High Pressure Sodium

**400-**

**Lamp Wattage**  
 (MP) 200, 250, 320, 350, 400  
 (MH) 400  
 (HPS) 150, 250, 400

**MT-**

**Voltage**  
 MT = Multi Tap  
 (120/208/240/277V)  
 480V = 480V

**AL16-**

**Reflector**  
 AL16 = Aluminum 16"  
 AL22 = Aluminum 22"

**L**

**Lamp**  
 L = Lamp  
 Included

**OPTIONS**

Q – Quartz restrike system with quartz restrike lamp  
 QT – Quartz restrike system with time delay, with quartz restrike lamp.  
 3CP-XXX – 3 foot Cord and NEMA Plug, XXX = specify voltage, 120 or 277V  
 WG16 or WG22 – Wire Guard 16" or 22"  
 FG16 or FG22 – Flat Glass 16" or 22" with clamp band for mounting. Tempered glass.  
 F1-XXX or F2-XXX – Single or Double Fuse. XXX = specify voltage.  
 SC3 – Safety Cable 3'.