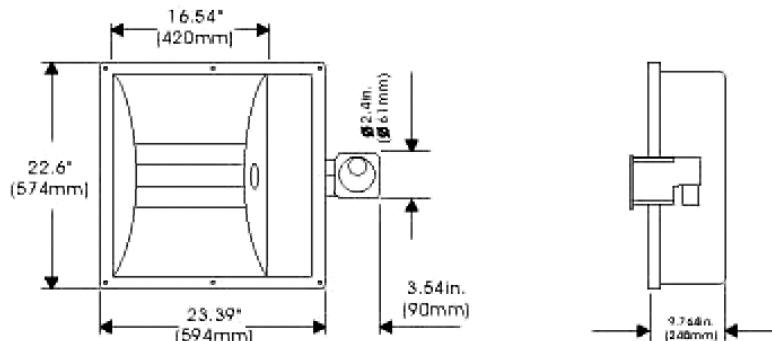


Atlas Lighting Supply
 2828 S. Linwood St
 Visalia, CA 93277
 Ph: 559-804-1664, F: 888-605-2324
 www.atlaslightingsupply.com

FT - Floodlight Thousand Watt
Slipfitter, Trunnion or Yoke Mounting
 Metal Halide Pulse Start 750 W
 Metal Halide 1000 W
 High Pressure Sodium 1000 W
 Induction 150W – 2x150 W
 LED 8 - 10 x 15 W



DESCRIPTION

The FT is a general purpose Floodlight for up to HID 1000 W lamps, Induction 2 x 150W lamps or LED 10 x 15W lamps. It has a wide beam distribution pattern allowing it to be used in almost any floodlighting application where a large amount of light is needed. U.L. listed for wet locations.

APPLICATION

Suitable for lighting large open areas such as parking lots, storage yards, construction sites, marinas, industrial areas and around buildings. Can also be used for lighting large facades.

HOUSING

The housing is made of high pressure die cast aluminum and finished in a dark bronze polyester powder coat paint finish for lasting corrosion resistance.

BALLAST

High Power Factor, Constant Wattage Autotransformer ballasts. Multi Tap (120/208/240/277V) or 480V ballasts. Minimum starting temperature is -20°F (-30°C) for MP and MH, -40°F (-40°C) for HPS. Multi Tap, electronic drivers for LED.

SOCKET

Mogul base, 4KV pulse rated porcelain socket for HID.

MOUNTING

Die cast aluminum slipfitter (shown) with dark bronze polyester powder coat paint finish. For use with 2 3/8" - 3" O.D. tenons. Also available in Trunnion and Yoke versions.

REFLECTOR

Die formed, anodized aluminum.

GASKET

Silicone rubber for long life.

LENS

Clear tempered glass, impact and heat resistant.

EPA

Effective Projected Area at 45° tilt is 2.74

CATALOG NUMBER LOGIC

FT-

Product Series
 FT = Floodlight
 Thousand Watt

MH

Lamp Type
 MP = Metal Halide
 Pulse Start
 MH = Metal Halide
 HP = High Pressure
 Sodium
 ID = Induction
 LD = LED

1000-

Lamp Wattage
 (MP) 750
 (MH) 1000
 (HPS) 1000
 (ID) 150, 200, 2x150
 (LED) 815 = 8 x 15W
 1015 = 10 x 15W

MT-

Voltage
 MT = Multi Tap
 120/208/240/277V
 480V = 480V

SF-

Mounting
 SF = Slipfitter
 TR = Trunnion
 YK = Yoke

L

Lamp
 L = Lamp
 Included

OPTIONS

FT-WG – Wire Guard
 FT-GS – Glare Shield

FT-VS – Vandal Shield
 FT-BF – Full Baffle

PC-XXX – Button Photocell (XXX = specify voltage)
 PCTL-XXX Twist Lock receptacle and photocell (XXX = specify voltage)