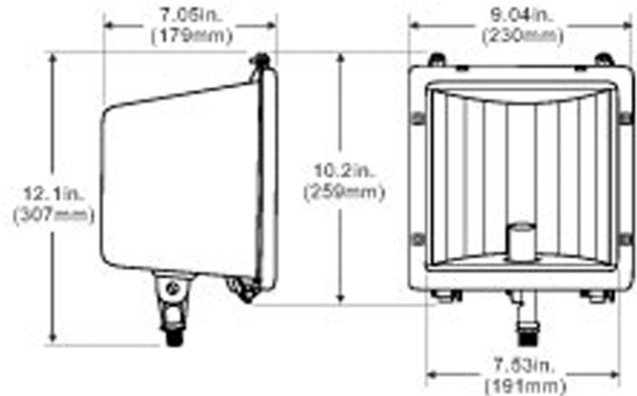


Atlas Lighting Supply
 2828 S. Linwood St
 Visalia, CA 93277
 Ph: 559-804-1664, F: 888-605-2324
 www.atlaslightingsupply.com

**FM2 - Floodlight Medium Wattage
 Knuckle Mounting**
 Metal Halide Pulse Start 50 – 150 W
 Metal Halide 175 W
 High Pressure Sodium 35 – 150 W
 Fluorescent Quad Tube 2 x 26 - 42 W
 LED 1 - 2 x 15 W



DESCRIPTION

The FM2 is a rugged and compact floodlight for up to MP 150W, MH 175W, HPS 150W, Fluorescent 2 x 42W or LED 2 x 15W. U.L. listed for wet locations.

APPLICATION

Suitable for applications such as facades, signs, landscape lighting and security lighting around buildings.

HOUSING

The housing is made of high pressure die cast aluminum and finished in a dark bronze polyester powder coat paint finish for lasting corrosion resistance.

BALLAST

High Power Factor, Constant Wattage Autotransformer ballasts, Multi Tap (120/208/240/277V) or reactor 120V ballasts for HPS. Minimum starting temperature is -20°F (-30°C) for MP and MH, -40°F (-40°C) for HPS. Electronic ballasts for Fluorescent 2x26, 32 or 42W in Dual Tap (120/277V). Multi Tap, electronic drivers for LED.

SOCKET

Medium base, 4KV pulse rated porcelain socket for HID lamps. Positive latching thermoplastic socket for fluorescent lamps.

MOUNTING

Versatile knuckle mount allows mounting on walls, floors and into ½" NPS outlet boxes.

REFLECTOR

Die formed, anodized aluminum. Available in Wide Beam or Spot Reflectors.

GASKET

Silicone rubber for long life.

LENS

Clear tempered glass, impact and heat resistant.

CATALOG NUMBER LOGIC

<p>FM2-</p> <hr style="width: 100%;"/> <p>Product Series FM2 = Floodlight Medium Wattage</p>	<p>MP</p> <hr style="width: 100%;"/> <p>Lamp Type MP = Metal Halide Pulse Start HP = High Pressure Sodium</p>	<p>150-</p> <hr style="width: 100%;"/> <p>Lamp Wattage (MP) 50, 70, 100, 150 (HPS) 100, 150</p>	<p>MT-</p> <hr style="width: 100%;"/> <p>Voltage MT = Multi Tap 120/208/240/277V</p>	<p>KM-</p> <hr style="width: 100%;"/> <p>Mounting KM = Knuckle Mounting</p>	<p>SP-</p> <hr style="width: 100%;"/> <p>Reflector Blank = Wide Beam SP = Spot Reflector</p>	<p>L</p> <hr style="width: 100%;"/> <p>Lamp L = Lamp Included</p>
---	---	---	--	--	--	--