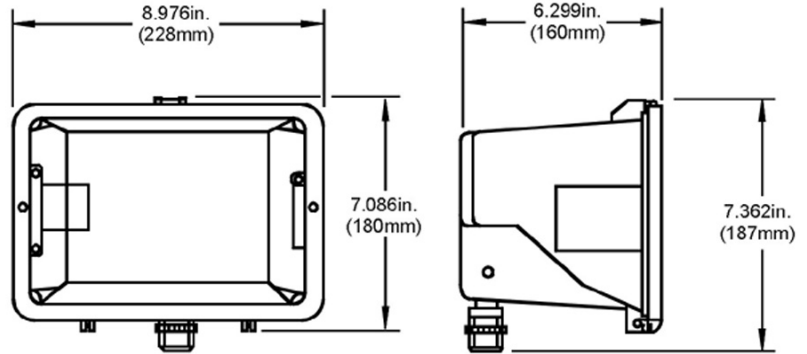


**FL - Floodlight Low Wattage
 Knuckle Mounting**
 Metal Halide Pulse Start 50 – 100 W
 High Pressure Sodium 35 – 150 W
 Fluorescent Quad Tube 1 x 26 - 42 W
 LED 1 – 2 x 7.5 W



DESCRIPTION

The FL is a compact floodlight for lower wattages. U.L. listed for wet locations.

APPLICATION

Ideal for all low wattage floodlighting applications in commercial, industrial and residential areas. Can be used for floodlighting signs, objects and for security lighting around buildings. An energy saving alternative to twin PAR lamp fixtures.

HOUSING

The housing is made of high pressure die cast aluminum and finished in a dark bronze polyester powder coat paint finish for lasting corrosion resistance. Housing is slightly deeper for MP 70-100W.

BALLAST

High Power Factor, Constant Wattage Autotransformer ballasts, Multi Tap (120/208/240/277V) or reactor 120V ballasts for HPS. Minimum starting temperature is -20°F (-30°C) for MP, -40°F (-40°C) for HPS. Electronic ballasts for Fluorescent 1x26, 32 or 42W in Dual Tap (120/277V). Multi Tap, electronic drivers for LED.

SOCKET

Medium base, 4KV pulse rated porcelain socket for HID lamps. Positive latching thermoplastic socket for fluorescent lamps.

MOUNTING

Versatile knuckle mount allows mounting on walls, floors and into 1/2" NPS outlet boxes.

REFLECTOR

Die formed, anodized aluminum.

DOOR & LATCH

Die cast aluminum door. Stainless steel door frame latching clip.

LENS

Clear tempered glass, impact and heat resistant.

CATALOG NUMBER LOGIC

FL-

Product Series
 FL = Floodlight
 Low Wattage

HP

Lamp Type

HP = High Pressure Sodium

150-

Lamp Wattage

(HPS) 35, 50, 70, 100, 150
 (FL)

142 = 1 x 42W

120V-

Voltage

120V = 120V

KM-

Mounting

KM = Knuckle Mounting

L

Lamp

L = Lamp Included