

Spot Reflector

Back to Atlas Lighting Supply



70 to 175 watts MH | HPS

Listed for Wet Locations

FEATURES

- Die Cast Aluminum Housing
- 1/2" Threaded Knuckle
- Spot Reflector
- Vertical or Horizontal Lamp
- Suitable for Ground Mounting
- Hinged Face Frame
- Tempered Glass Lens
- Lamp Included

ORDERING INFORMATION

Catalog #	Description	Volts	Ballast Type	Lamp
METAL HALIDE				
FLMS-70MHQPK	70 watt MH	Quad V	CWA	MH70/U/M
FLMS-100MHQPK	100 watt MH	Quad V	CWA	MH100/U/M
FLMS-175MHQPK	175 watt MH	Quad V	CWA	MH175/U/M
HIGH PRESSURE SODIUM				
FLMS-70HPK	70 watt HPS	120 V	CWA	C70S62/M
FLMS-70HQPK	70 watt HPS	Quad V	CWA	C70S62/M
FLMS-100HPK	100 watt HPS	120 V	CWA	C100S54/M
FLMS-100HQPK	100 watt HPS	Quad V	CWA	C100S54/M
FLMS-150HPK	150 watt HPS	120 V	CWA	C150S55/M
FLMS-150HQPK	150 watt HPS	Quad V	CWA	C150S55/M

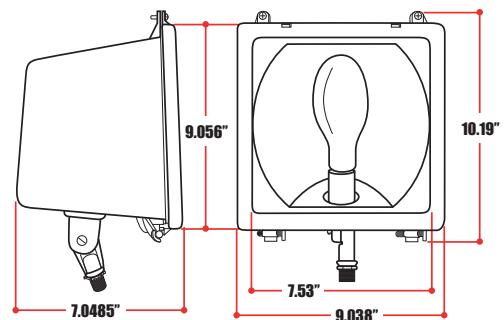
Add Suffix WT to Indicate White Housing

ACCESSORIES (FIELD INSTALLED)

Catalog #	Description	Finish	Std. Pkg.	See Pg.#
210-004	FLM Face Frame Assembly	Bronze	1	79
210-004WT	FLM Face Frame Assembly	White	1	79
320-020	Glare Shield for FLM	Bronze	1	79
320-020WT	Glare Shield for FLM	White	1	79
320-021	Wireguard for FLM	—	1	79

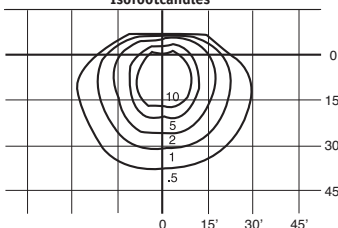
DIMENSIONS

Approx. Weight: 17 lbs.

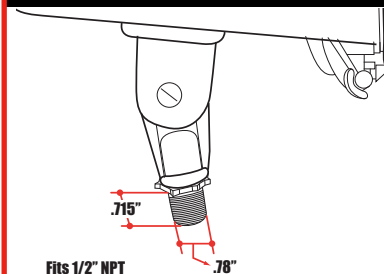


PHOTOMETRICS

175W MH @ 15' Mounting Height
and Aimed 45° below horizontal
Isofootcandles



MOUNTING DETAIL



Fits 1/2" NPT