



Back to Atlas Lighting Supply

1000 watts MH | HPS



FEATURES

- Pre-wired with Cord
- Lamp Stabilizer
- Die Cast Aluminum Housing
- Suitable for Ground Mounting
- Hinged Face Frame
- Tempered Glass Lens
- Lamp Included

ORDERING INFORMATION

Catalog #	Description	Volts	Ballast Type	Lamp
METAL HALIDE				
FLLX-1000MHQPKT	1000 watt MH with Trunion	Quad V	CWA	MH1000/U
FLLX-1000MHQPKS	1000 watt MH with Slip Fitter	Quad V	CWA	MH1000/U
HIGH PRESSURE SODIUM				
FLLX-1000HQPCT	1000 watt HPS with Trunion	Quad V	CWA	C1000S52
FLLX-1000HQPCKS	1000 watt HPS with Slip Fitter	Quad V	CWA	C1000S52

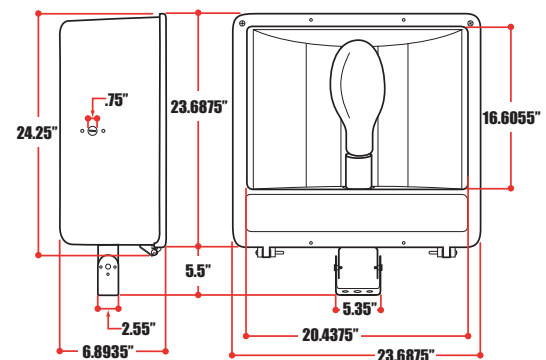
480V Available Upon Request 5 Tap Available in Metal Halide

ACCESSORIES (FIELD INSTALLED)

Catalog #	Description	Finish	Std. Pkg.	See Pg.#
320-010	Trunion for FLLX	Bronze	1	79
320-009	Slipfitter for FLLX	Bronze	1	79
210-014	FLLX Face Frame Assembly	Bronze	1	79
320-025	Glare Shield for FLLX Series	Bronze	1	79
320-023	Wireguard for FLLX Series	—	1	79
320-024	Baffle for FLLX Series	Bronze	1	79

DIMENSIONS

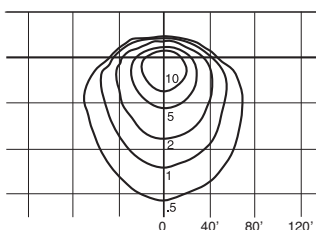
Approx. Weight: 69 lbs.



EPA Rating: 3.68

PHOTOMETRICS

1000W MH @ 30' Mounting Height
and Aimed 45° below horizontal
Isofootcandles



MOUNTING DETAIL

