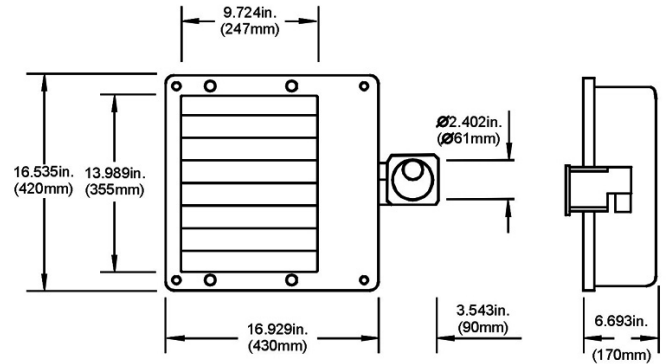


**Atlas Lighting Supply**  
 2828 S. Linwood St  
 Visalia, CA 93277  
 Ph: 559-804-1664, F: 888-605-2324  
 www.atlaslightingsupply.com

**FH - Floodlight High Wattage  
 Slipfitter, Trunnion or Yoke Mounting**  
 Metal Halide Pulse Start 200 – 400 W  
 Metal Halide 175 – 400 W  
 High Pressure Sodium 150 – 400 W  
 Induction 80 W  
 LED 4 - 5 x 15 W



**DESCRIPTION**

The FH is a general purpose Floodlight for up to 400W HID lamps, 80W Induction lamps or LED 5 x 15W lamps. It has a wide beam distribution pattern allowing it to be used in almost any floodlighting application. U.L. listed for wet locations.

**APPLICATION**

Suitable for lighting large open areas such as parking lots, storage yards, construction sites, marinas, industrial areas and around buildings.

**HOUSING**

The housing is made of high pressure die cast aluminum and finished in a dark bronze polyester powder coat paint finish for lasting corrosion resistance.

**BALLAST**

High Power Factor, Constant Wattage Autotransformer ballasts. Multi Tap (120/208/240/277V) or 480V ballasts. Minimum starting temperature is -20°F (-30°C) for MP and MH, -40°F (-40°C) for HPS. Multi Tap, electronic drivers for LED.

**SOCKET**

Mogul base, 4KV pulse rated porcelain socket for HID.

**MOUNTING**

Die cast aluminum slipfitter (shown) with dark bronze polyester powder coat paint finish. For use with 2 3/8" - 3" O.D. tenons. Also available in Trunnion and Yoke versions.

**REFLECTOR**

Die formed, anodized aluminum.

**GASKET**

Silicone rubber for long life.

**LENS**

Clear tempered glass, impact and heat resistant.

**EPA**

Effective Projected Area at 45° tilt is 1.50

**CATALOG NUMBER LOGIC**

**FH-**

**Product Series**  
 FH = Floodlight  
 High Wattage

**MP**

**Lamp Type**  
 MP = Metal Halide  
 Pulse Start  
 MH = Metal Halide  
 HP = High Pressure  
 Sodium  
 ID = Induction  
 LD = LED

**400-**

**Lamp Wattage**  
 (MP) 200, 250, 320, 350, 400  
 (MH) 175, 250, 400  
 (HPS) 150, 250, 400  
 (ID) 80  
 (LED) 415 = 4 x 15W  
 515 = 5 x 15W

**MT-**

**Voltage**  
 MT = Multi Tap  
 120/208/240/277V  
 480V = 480V

**SF-**

**Mounting**  
 SF = Slipfitter  
 TR = Trunnion  
 YK = Yoke

**L**

**Lamp**  
 L = Lamp  
 Included

**OPTIONS**

FH-WG – Wire Guard  
 FH-GS – Glare Shield

FH-VS – Vandal Shield  
 FH-BF – Full Baffle

PC-XXX – Button Photocell (XXX = specify voltage)  
 PCTL-XXX Twist Lock receptacle and photocell (XXX = specify voltage)