

FEATURES

- Steel Housing**
 Provides strength, ease of installation and a durable white powder coat finish.
- Open Air Ballast**
 Allows for cooler operating temperatures. 45° Standard ambient. Higher ambients available.
- High Power Factor Ballast**
 Class H insulation. Standard Quad volt ballast. (5-tap and pulse start available)
- Slide-on Mounting Box**
 Allows for quick and easy installation. 3/4" conduit connection or hook.
- High Efficiency Reflector**
 White aluminum for superior performance with twist lock mounting.
- EZ Band System™**
 Captivated hinge swings open securely holding lens and snaps tight with clips for easy maintenance.
- Mogul Base Socket**
 Porcelain, single-piece screw shell, spring-loaded center contact.
- Factory Installed Options**
 Quartz Restrike, Fusible, 480 Volt, and pre-wired Cord, Hook and Plug available.
- Unit Pack**
 Fixture, optics and lamp in one carton

Back to Atlas Lighting Supply



250 – 400 watts MH | HPS | PS

ORDERING INFORMATION

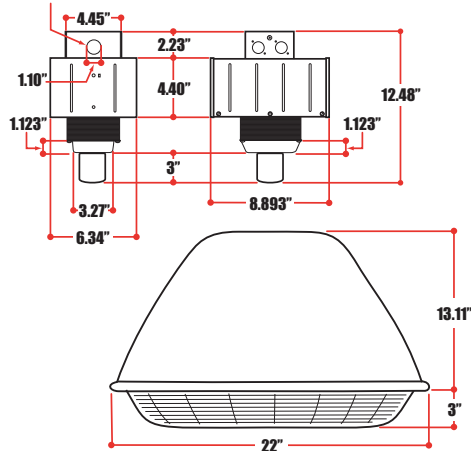
Catalog #	Description	Optics	Volts	Ballast	Lamp
METAL HALIDE					
BT22D25MQ	250 watt MH	Aluminum/Drop	Quad	CWA	MH250/U
BT22D40MQ	400 watt MH	Aluminum/Drop	Quad	CWA	MH400/U
HIGH PRESSURE SODIUM					
BT22D25HQ	250 watt HPS	Aluminum/Drop	Quad	CWA	C250S50
BT22D40HQ	400 watt HPS	Aluminum/Drop	Quad	CWA	C400S51
PULSE START					
BT22D32PQ-P	320 watt PS	Aluminum/Drop	Quad	CWA	MP320/BU
BT22D35PQ-P	350 watt PS	Aluminum/Drop	Quad	CWA	MP350/BU
BT22D40PQ-P	400 watt PS	Aluminum/Drop	Quad	CWA	MP400/BU

480V / 5-Tap Available Upon Request

DIMENSIONS

Approx. Weight: 30 lbs.

Fits 3/4" NPT



ACCESSORIES (FIELD INSTALLED)

Catalog #	Description	Std. Pkg.	See Pg.#
SM4	4" Square Box, 3/4" Conduit w/ 1/2" Reducer	25	42
OM4	4" Octagonal Box, 3/4" Conduit w/ 1/2" Reducer	25	42
280-090	Hook	1	42
SC5	5' Safety Cable	1	42
290-015	15amp Twist Lock Receptacle, 120V	1	42
290-013	15amp Twist Lock Receptacle, 208/240V	1	42
290-014	15amp Twist Lock Receptacle, 277V	1	42
290-016	15amp Twist Lock Receptacle, 480V	1	42
140-042WT	22" White Aluminum Reflector	1	43

FACTORY INSTALLED OPTIONS

Suffix #	Description	Suffix #	Description
1	Single Fuse	S	277V Cord and Plug Installed
2	Double Fuse	I	480V Cord and Plug Installed
R	Quartz Restrike	U	120V Cord (No Plug) Installed
RT	Time Delay Quartz Restrike	V	208V Cord (No Plug) Installed
4	480 Volt Ballast	X	240V Cord (No Plug) Installed
5	5-Tap Ballast	Y	277V Cord (No Plug) Installed
T	120V Cord and Plug Installed	Z	480V Cord (No Plug) Installed
E	208V Cord and Plug Installed		
F	240V Cord and Plug Installed		

Modular Cable Available
See page 40