



CATALOG NUMBER: _____
 JOB NAME: _____
 CUSTOMER NAME: _____
 NOTES: _____ TYPE: _____
 DATE: _____



FEATURES AND SPECIFICATIONS

INDUSTRIAL LIGHTING
BK22 SERIES
BAYLIGHTER 22" HIGH BAY



- Wattages:**
 Pulse Start: 250w - 400w
 Metal Halide: 1000w
 High Pressure Sodium: 250w - 1000w
- Construction:**
 Polished Aluminum
 Steel Housing
 Open Air Ballast
 High Power Factor Ballast
 Slide-On Mounting Box
 Twist Lock Bracket
 Mogul Base Socket
 Safety Chain Included

Optics:
 High Efficiency Reflector

Other:
 Factory Installed Options
 Unit Pack

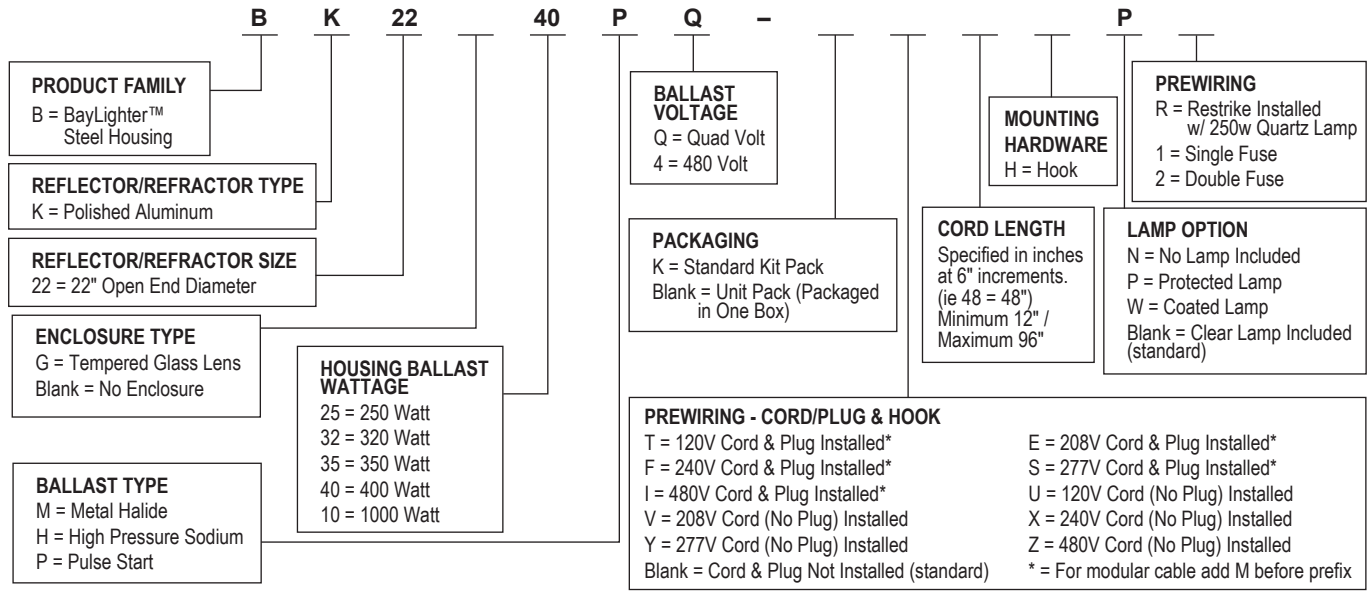
Specifications:
 Overall height: 24.73" (62.8142 cm)
 Width: 22.69" (59.63 cm)
 Weight: 28 lbs / 12.70 kg
(add 2 lbs for glass lens)
Dimensions and weight for 250-400 Watts Only

ACCESSORIES

- SM4** 4" Square Box, 3/4" Conduit w/ 1/2" Reducer
- OM4** 4" Octagonal Box, 3/4" Conduit w/ 1/2" Reducer
- 280-090S** Stamped Steel Hook *(Only use with Atlas fixtures)*
- SC5** 5' Safety Cable
- SCH5** 5' Safety Chain
- WG22** 22" Wireguard
- 290-015** 15amp Twist Lock Receptacle, 120V
- 290-013** 15amp Twist Lock Receptacle, 208/240V
- 290-014** 15amp Twist Lock Receptacle, 277V
- 290-016** 20amp Twist Lock Receptacle, 480V
- 140-042** 22" Polished Aluminum Reflector

ORDERING INFORMATION

Order accessories as separate catalog numbers (shipped separately).



Actual performance can vary depending on operating conditions. Specifications are subject to change without notice.

ATLAS LIGHTING PRODUCTS, INC.

PO BOX 2348 | BURLINGTON, NC 27216
 800-849-8485 | FAX: 336-227-0110 | www.atlaslightingproducts.com

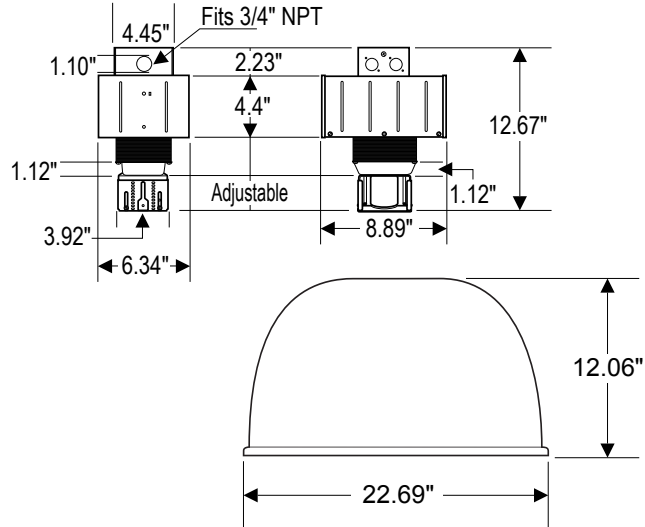
DIMENSIONS

Specifications:

Overall height:
24.73" (62.8142 cm)

Width:
16.437" (41.75 cm)

Weight:
25 lbs / 11 kg.
(add 2 lbs for glass lens)



Actual performance can vary depending on operating conditions. Specifications are subject to change without notice.

ATLAS LIGHTING PRODUCTS, INC.

PO BOX 2348 | BURLINGTON, NC 27216

800-849-8485 | FAX: 336-227-0110 | www.atlaslightingproducts.com