

Atlas Lighting Supply

2828 S. Linwood St

Visalia, CA 93277

Ph: 559-804-1664, F: 888-605-2324

www.atlaslightingsupply.com

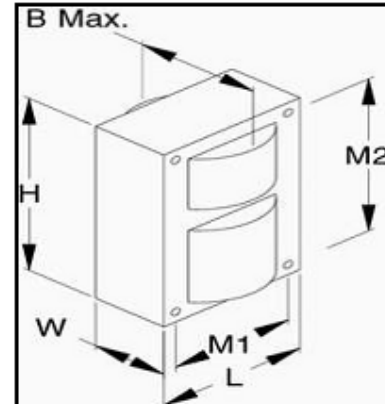
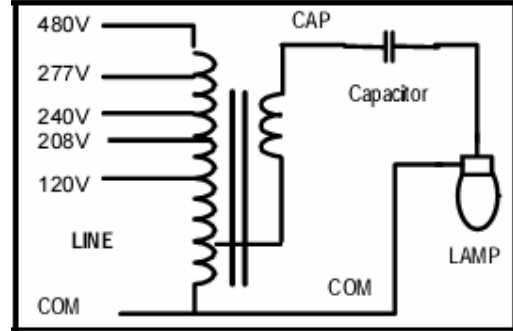
Date: 12/1/2009

Catalog#	BB-0400MHC6CC
Type:	400W Metal Halide
Voltage:	5Tap(120/208/240/277/480)

General Information

Lamp Type	400W MH
ANSI Designation	M59
Line Voltage(V)	120/208/240/277/480
Regulation	10%
Frequency(Hz)	60
Recommended Fuse(A)	10/8/5/5/5
Circuit Type	CWA
Insulation Class	180°C
Capacitor Value	24UF
Capacitor Voltage Rating	400V
Cap.Temp.Rating	90°C
Winding Materials(Pri/Sec)	Al/Al
Lamp Starter	N/A
Agency Certification	RU,cRU
Maximum Distance to Lamp	N/A

Wiring Diagram



Electrical Characteristics

Line Volt (V)	Power Factor	Line Current (A)			Input Power (W)	Open Circuit Voltage (V)	Min Start Temp.
		Operating	Open	Start			
120	High	4.00	3.85	2.50	430	300	-30°C
208	High	2.20	2.23	1.40	430	300	-30°C
240	High	1.90	1.96	1.20	430	300	-30°C
277	High	1.70	1.70	1.00	430	300	-30°C
480	High	1.00	0.98	0.60	430	300	-30°C

Physical Characteristics

Overall Dimensions (Inches)				Mounting Holes (Inches)			Bracket Dimension (Inches)		Ballast Net Weight (KG)	Lead Length (Inches)
Length	Width	Height	B max.	Diameter	M1	M2	Length	Width		
4.30	2.36	4.80	4.33	0.25	3.87	4.38	7.25	1.11	6.10	12-14