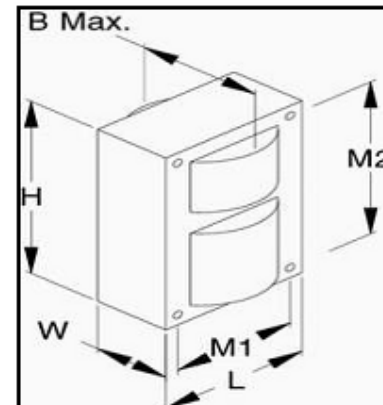
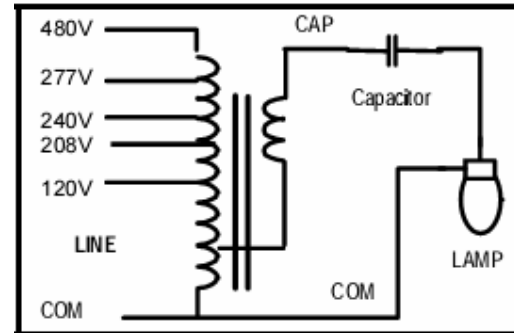


| | |
|----------|---------------------------|
| Catalog# | BB-1500MHC6CCC |
| Type: | 1500W Metal Halide |
| Voltage: | 5Tap(120/208/240/277/480) |

General Information

| | |
|----------------------------|---------------------|
| Lamp Type | 1500W MH |
| ANSI Designation | M48 |
| Line Voltage(V) | 120/208/240/277/480 |
| Regulation | 10% |
| Frequency(Hz) | 60 |
| Recommended Fuse(A) | 30/25/20/15/10 |
| Circuit Type | CWA |
| Insulation Class | 180°C |
| Capacitor Value | 32UF |
| Capacitor Voltage Rating | 540V |
| Cap.Temp.Rating | 90°C |
| Winding Materials(Pri/Sec) | Al/Al |
| Lamp Starter | N/A |
| Agency Certification | |
| Maximum Distance to Lamp | N/A |

Wiring Diagram



Electrical Characteristics

| Line Volt (V) | Power Factor | Line Current (A) | | | Input Power (W) | Open Circuit Voltage (V) | Min Start Temp. | UL Temp. Code |
|---------------|--------------|------------------|------|-------|-----------------|--------------------------|-----------------|---------------|
| | | Operating | Open | Start | | | | |
| 120 | High | 13.4 | 6.30 | 11.3 | 1625 | 440 | -30°C | |
| 208 | High | 7.75 | 3.65 | 6.50 | 1625 | 440 | -30°C | |
| 240 | High | 6.70 | 3.15 | 5.65 | 1625 | 440 | -30°C | |
| 277 | High | 5.80 | 2.5 | 4.90 | 1625 | 440 | -30°C | |
| 480 | High | 3.40 | 1.65 | 3.00 | 1645 | 440 | -30°C | |

Physical Characteristics

| Overall Dimensions (Inches) | | | | Mounting Holes (Inches) | | | Bracket Dimension (Inches) | | Ballast Net Weight (KG) | Lead Length (Inches) |
|-----------------------------|-------|--------|--------|-------------------------|------|------|----------------------------|-------|-------------------------|----------------------|
| Length | Width | Height | B max. | Diameter | M1 | M2 | Length | Width | | |
| 4.30 | 4.72 | 6.00 | 6.60 | 0.25 | 3.89 | 5.37 | 7.25 | 1.11 | 12.0 | 12-14 |