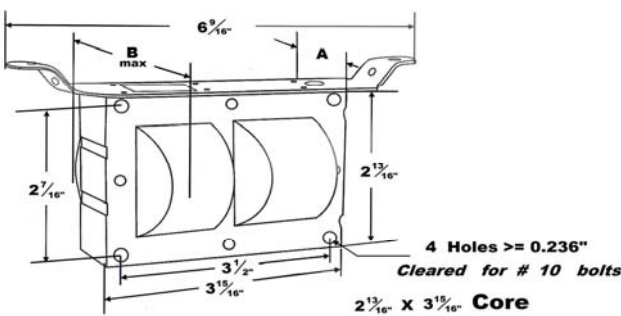
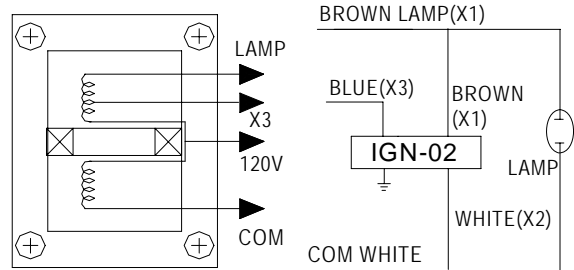
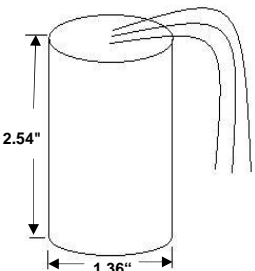


Atlas Lighting Supply
 2828 S. Linwood St
 Visalia, CA 93277
 Ph: 559-697-6764, F: 888-605-2324
 www.atlaslightingsupply.com

E-BAL-H70-A0160N	
Ballast Type	Metal Halide
Lamp	70W M98
Circuit Type	HX-NPF
Input Frequency	60HZ

Model_No:	E-BAL-H70-A0160N			Capacitor (Not Required)	
Input Voltage	120			Capacitance	
Operating Current	2.6			Minimum Volts	
Open Circuit Current	0.70			Dry	Diameter
Starting Current	1.19				Height
CCF (*ANSI≤1.8)	1.8			Case Max. Temperature	
Short Circuit Current	Secondary	1.19			
	Input	3.52			
Recommended Fuse	6				
Input Voltage At Lamp Dropout					
UL 1029 Bench Top Rise	B			Ignitor (Required)	
OCV(Min.)	230			Ignitor Model	IGN-02
Input Power	94 W			Pulse Height(kV)	3.0~4.0
Power Factor	0.3-0.5			Pulse Width (≥u S)	1.0 @ 2.7
Regulation	Line Volts	±5%			
	Lamp Watts	±10%			
Insulation System	Class H, 180°C				
Ballast Dimension	A	1.3"			
	B	2.6"			
Ballast Net Weight	4.0 lbs				
Leads	12"-Cross Link Polyolefin			Min.Starting Temp.	-20°F / -30°C

<p>Ballast Dimension</p>  <p>6¹/₁₆"</p> <p>B_{max}</p> <p>A</p> <p>2¹/₁₆"</p> <p>2¹/₁₆"</p> <p>3¹/₂"</p> <p>3¹/₁₆"</p> <p>4 Holes ≥ 0.236" Cleared for # 10 bolts</p> <p>2¹/₁₆" X 3¹/₁₆" Core</p>	<p>Wiring Diagram</p>  <p>LAMP</p> <p>X3</p> <p>120V</p> <p>COM</p> <p>BROWN LAMP(X1)</p> <p>BLUE(X3)</p> <p>BROWN (X1)</p> <p>IGN-02</p> <p>LAMP</p> <p>WHITE(X2)</p> <p>COM WHITE</p>
<p>Ignitor</p>  <p>2.54"</p> <p>1.36"</p>	

When Ordering, add suffix for options:

D - with distributor replacement kit (include bracket, capacitor and ignitor as necessary)

Specifications are subject to change without notice.