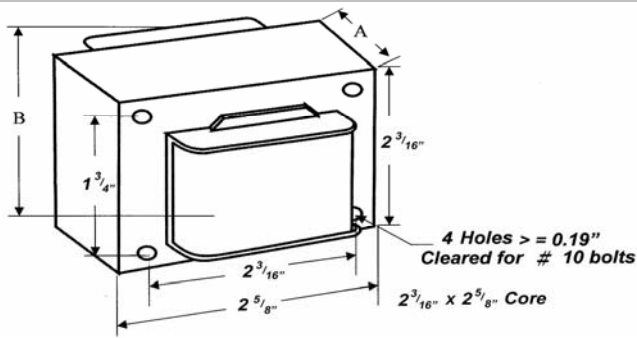
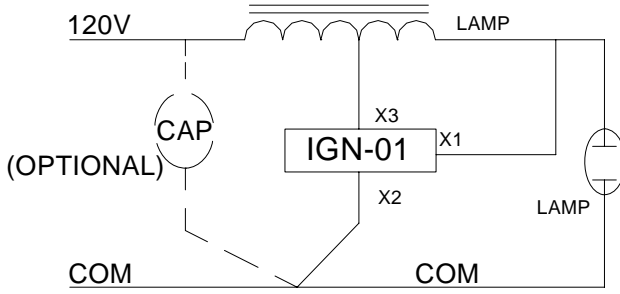
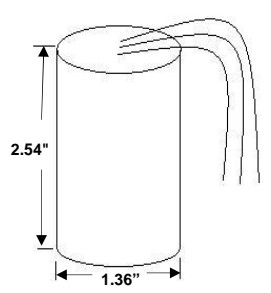


2 Year Warranty

E-BAL-S003S	
Ballast Type	High Pressure Sodium
Lamp	35W S76
Circuit Type	R-NPF
Input Frequency	60HZ

Model_No:	E-BAL-S003S			Capacitor (Not Required)	
Input Voltage	120			Capacitance	
Operating Current	1.4			Minimum Volts	
Open Circuit Current	1.4			Dry	Diameter
Starting Current	1.4				Height
CCF (*ANSI≤1.8)	1.8			Case Max. Temperature	
Short Circuit Current	Secondary	1.4		Ignitor (Required)	
	Input	1.4		Ignitor Model	IGN-01
Recommended Fuse	3			Pulse Height(kV)	2.5~4.0
Input Voltage At Lamp Dropout				Pulse Width (≥u S)	1us@ 2250V
UL 1029 Bench Top Rise	A				
	OCV(Min.)	110			
	Input Power	46W			
	Power Factor	0.3-0.5			
Regulation	Line Volts	±5%			
	Lamp Watts	±10%			
Insulation System	Class H, 180°C				
Ballast Dimension	A	0.6"			
	B	1.7"			
Ballast Net Weight	1.4 lbs				
Leads	12"-Cross Link Polyolefin			Min.Starting Temp.	-20°F / -30°C

<p>Ballast Dimension</p>  <p>4 Holes >= 0.19" Cleared for # 10 bolts</p> <p>2³/₁₆" x 2⁵/₈" Core</p>	<p>Wiring Diagram</p>  <p>120V, LAMP, CAP (OPTIONAL), COM, IGN-01, X1, X2, X3</p>
<p>Ignitor</p>  <p>2.54" height, 1.36" diameter</p>	

When Ordering, add suffix for options:
 D - with distributor replacement kit (include bracket, capacitor and ignitor as necessary)

Specifications are subject to change without notice.