

Atlas Lighting Supply

2828 S. Linwood St. Visalia, CA 93277

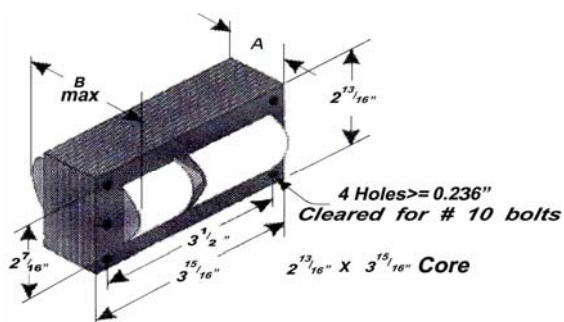
Phone: 559-741-9803 Fax: 559-733-1407

www.atlaslightingsupply.com

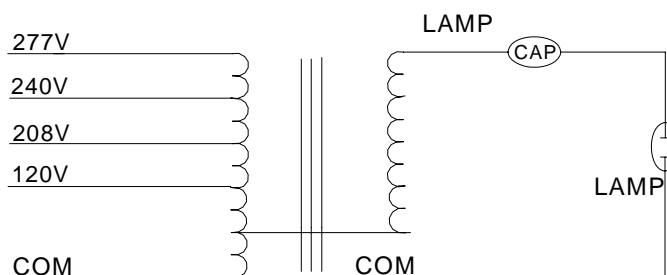
E-BAL-HO17M4	
Ballast Type	Metal Halide
Lamp	175W M57
Circuit Type	CWA
Input Frequency	60HZ

Model No: E-BAL-HO17M4						Capacitor (Required)		
Input Voltage	120	208	240	277	Capacitance	10uF±3%		
Operating Current	1.8	1.1	0.9	0.8	Minimum Volts	400V		
Open Circuit Current	2.2	1.3	1.1	1.0	Dry	Diameter	1.37"	
Starting Current	1.9	1.9	1.9	1.9		Height	3.1"	
CCF (*ANSI≤1.8)	1.8	1.8	1.8	1.8	Case Max. Temperature			
Short Circuit Current	Secondary	1.9	1.9	1.9	100°C			
	Input	1.3	0.7	0.6				
Recommended Fuse	5	3	3	2	Ignitor (Not Required)			
Input Voltage At Lamp Dropout					Ignitor Model			
UL 1029 Bench Top Rise	C	D	D	D	Pulse Height(kV)			
OCV(Min.)	275				Pulse Width (≥ u S)			
Input Power	210W							
Power Factor	≥90%							
Regulation	Line Volts	±10%						
	Lamp Watts	±10%						
Insulation System	Class H, 180°C							
Ballast Dimension	A	2.4"						
	B	3.7"						
Ballast Net Weight	6.8 lbs							
Leads	12"-Cross Link Polyolefin				Min.Starting Temp. -20°F / -30°C			

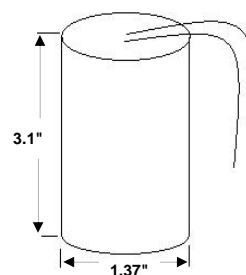
Ballast Dimension



Wiring Diagram



Capacitor



When Ordering, add suffix for options:

D - with distributor replacement kit (include bracket, capacitor and ignitor as necessary)

Specifications are subject to change without notice.